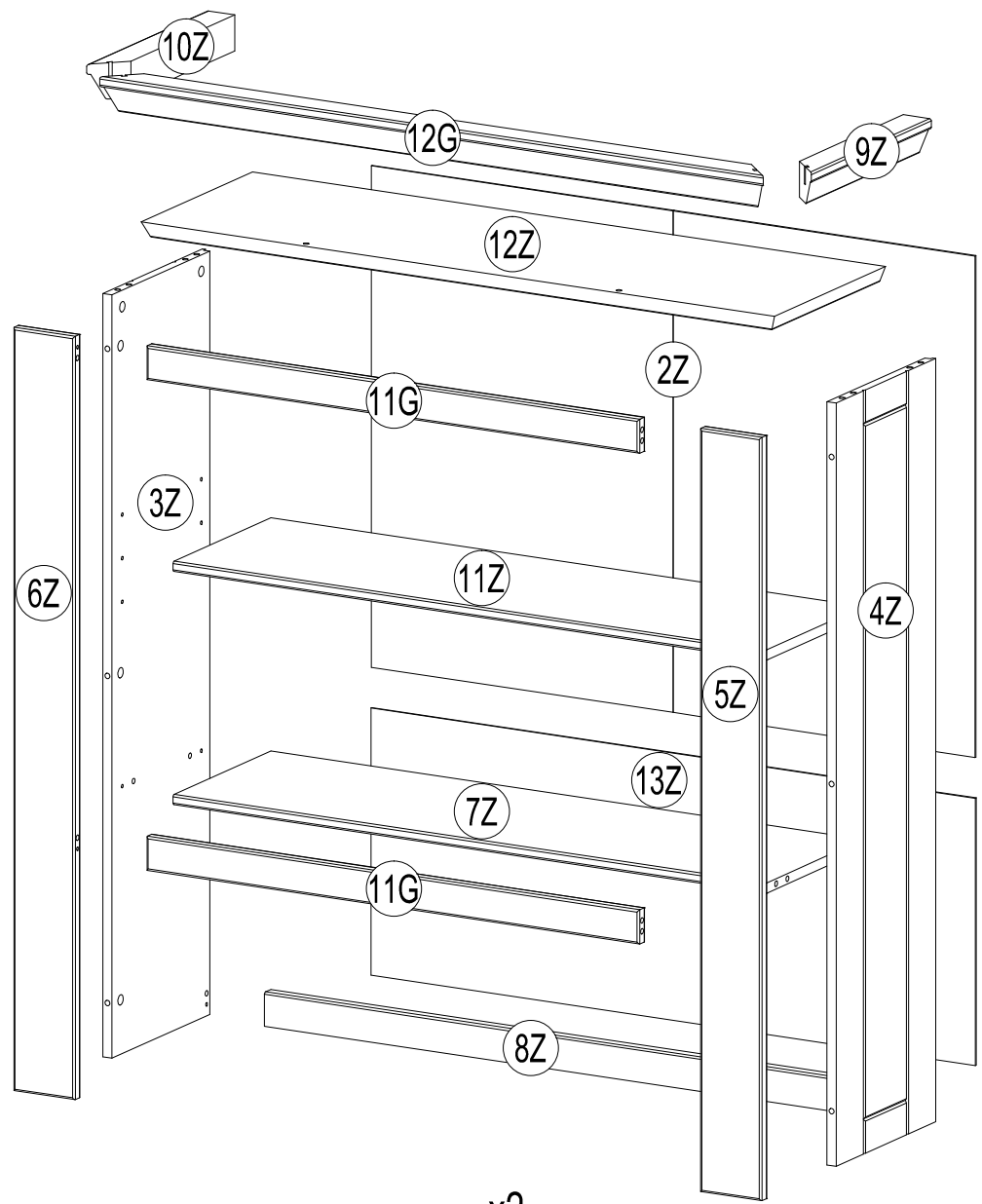


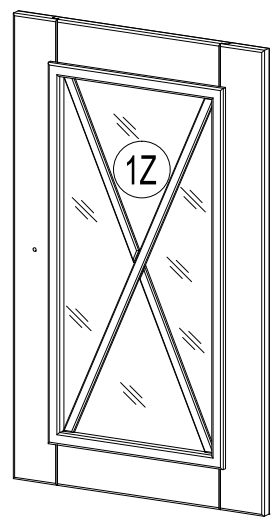
**90 min**







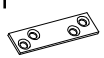
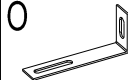
Achtung bei Reklamationen bitte den EAN rausschneiden und zurücksenden  
und die Montageanleitung beifügen

0  
10  
20  
30  
40  
50  
60  
70  
80  
90  
100  
110  
120  
130  
140  
150  
160  
170  
180  
190  
200

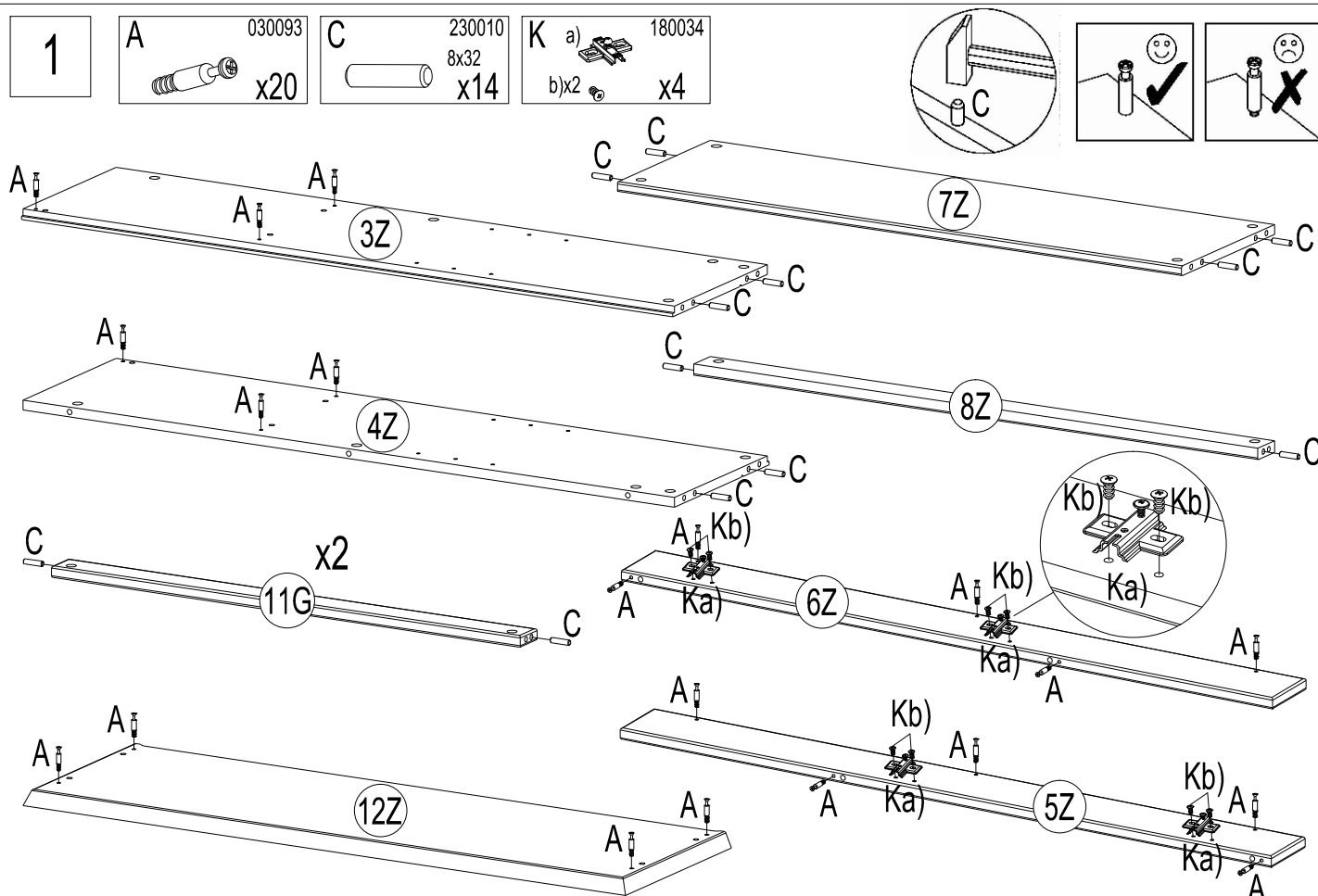


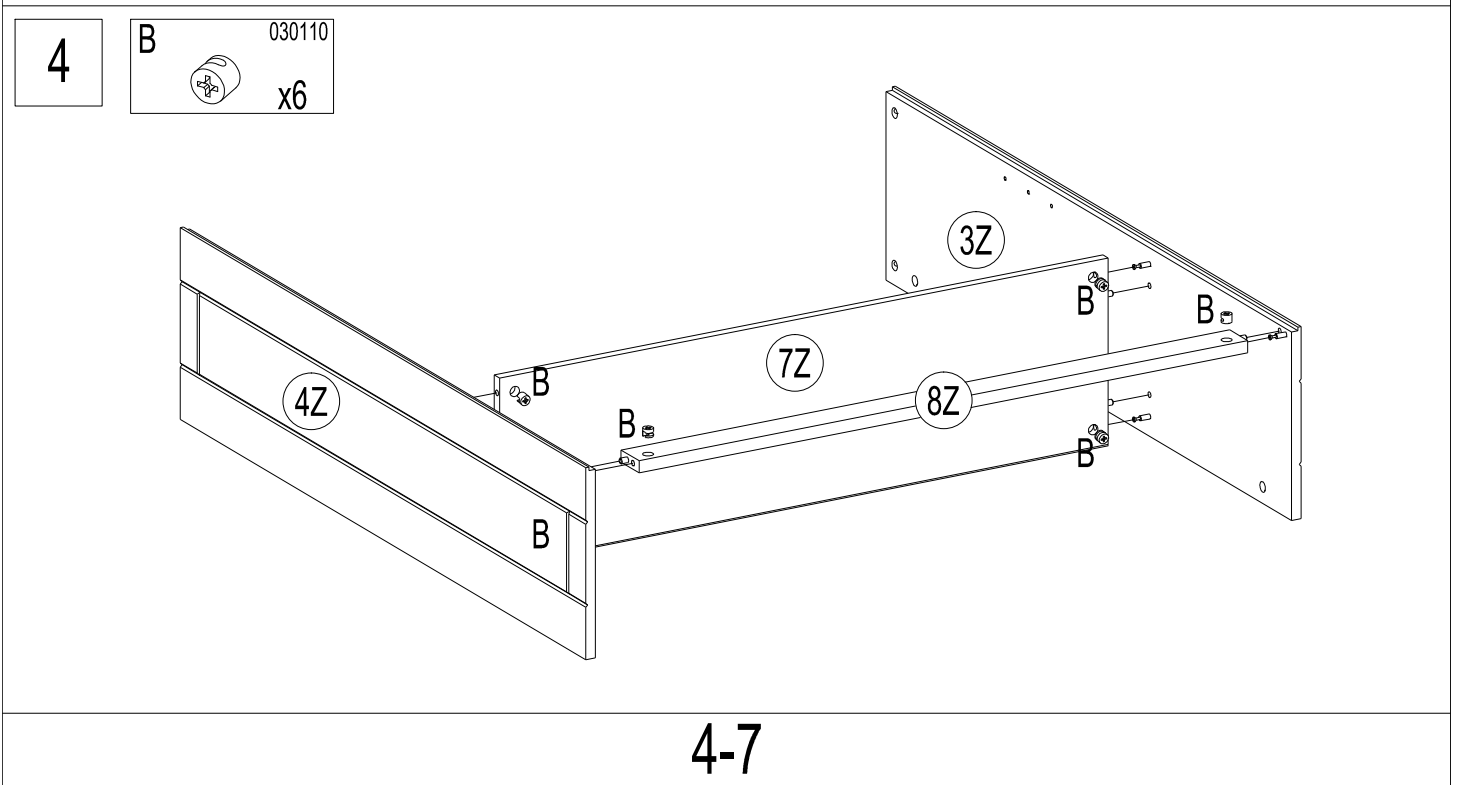
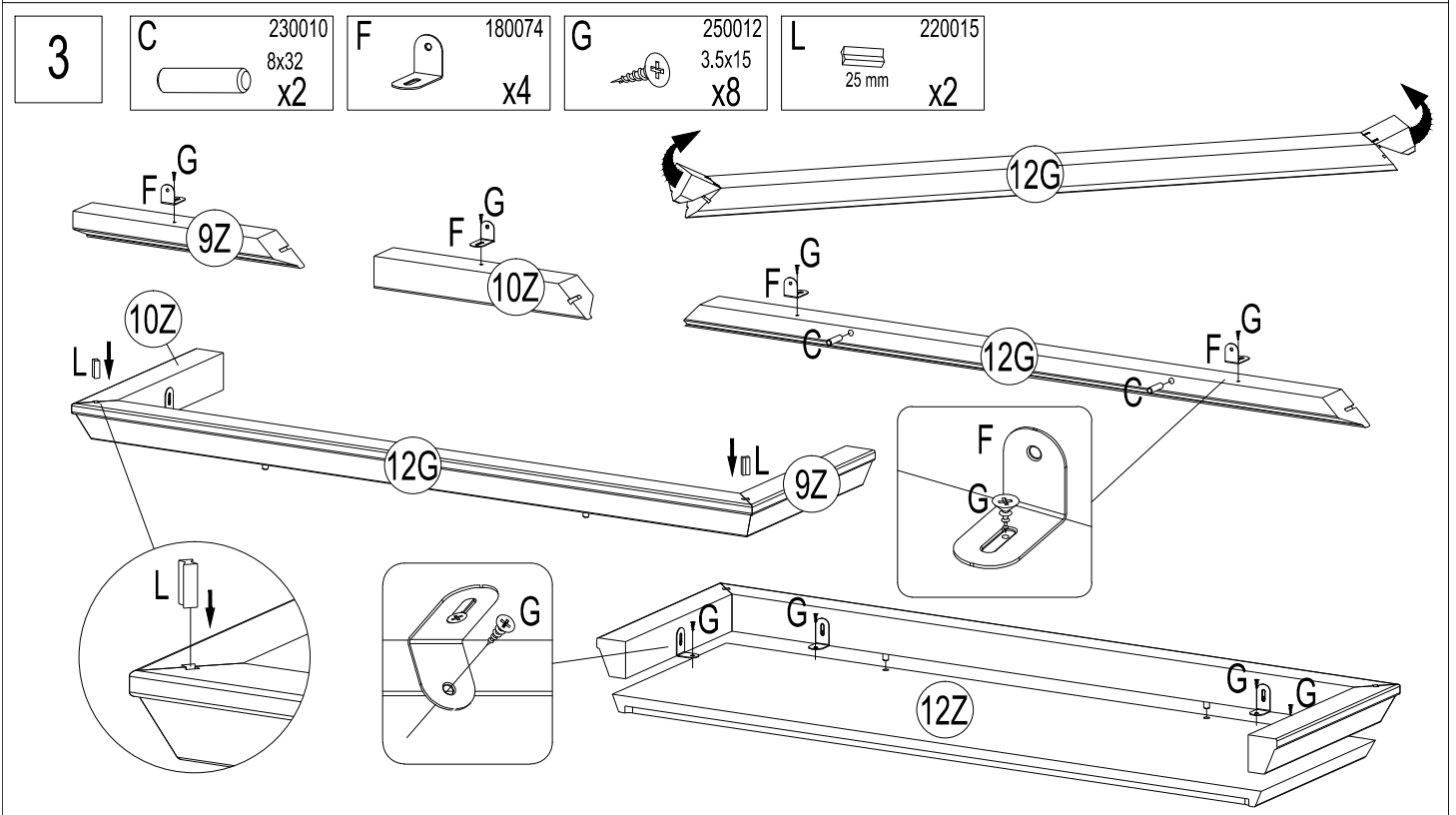
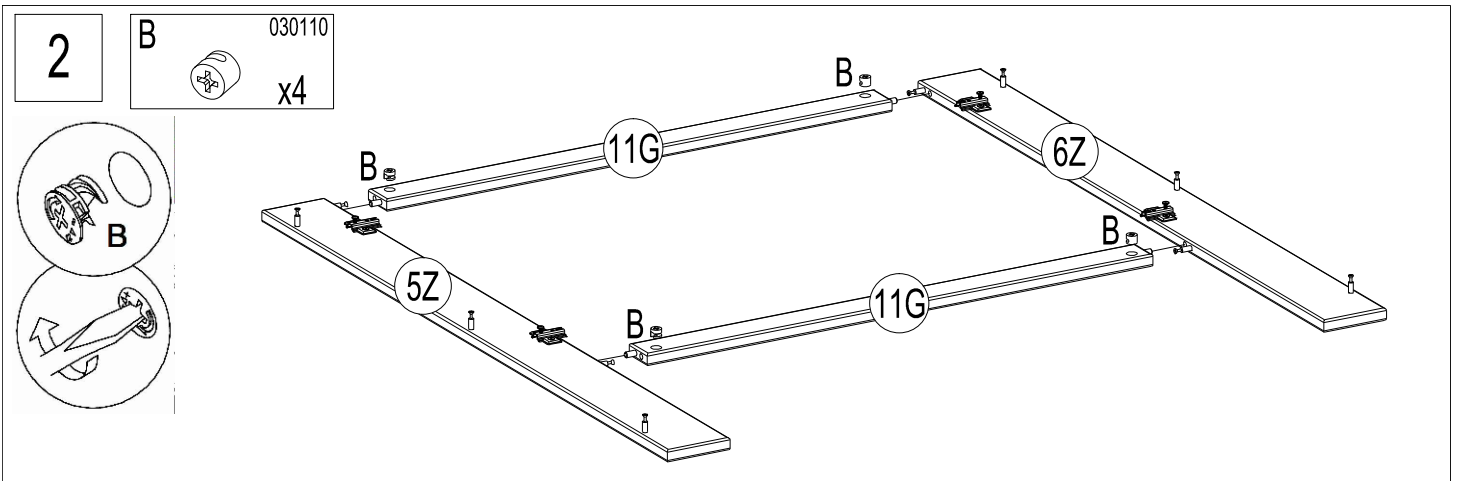
x2



<b>A</b> 030093  x20	<b>B</b> 030110  x20	<b>C</b> 230010 8x32 x16	<b>D</b> 190009  x4	<b>E</b> 210057  x2	<b>F</b> 180074  x4
<b>G</b> 250012 3.5x15 x24	<b>H</b> 250042 4x35 x2	<b>I</b> 220043 1.2x20 x2	<b>J</b> 180056  x4	<b>K</b> a) 180034 b)x2 x4	<b>L</b> 220015 25 mm x2
<b>M</b> 180017  x2	<b>N</b> 090001 8x50 x2	<b>O</b> 180080  x2	<b>P</b> 250012 3.5x15 x2	<b>Q</b> 250069 5x50 x2	

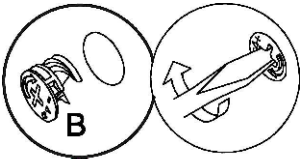
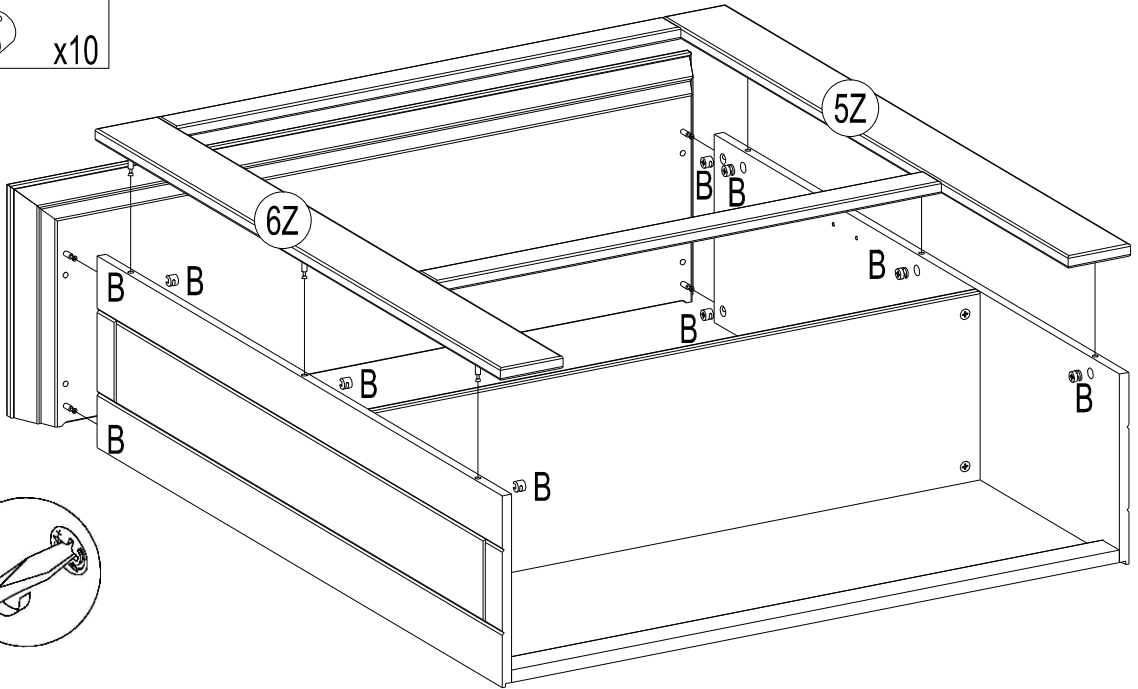
No	Size/MaB (mm)	Qty	✓	No	Size/MaB (mm)	Qty	✓
1Z	666x400x18	2		9Z	340x53x46	1	
2Z	736x986x3	1		10Z	340x53x46	1	
3Z	1120x282x15	1		11Z	970x277x15	1	
4Z	1120x282x15	1		12Z	1036x315x24	1	
5Z	1120x100x18	1		13Z	989x392x3	1	
6Z	1120x100x18	1		11G	806x50x18	2	
7Z	970x277x15	1		12G	1086x53x46	1	
8Z	970x50x18	1					





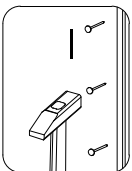
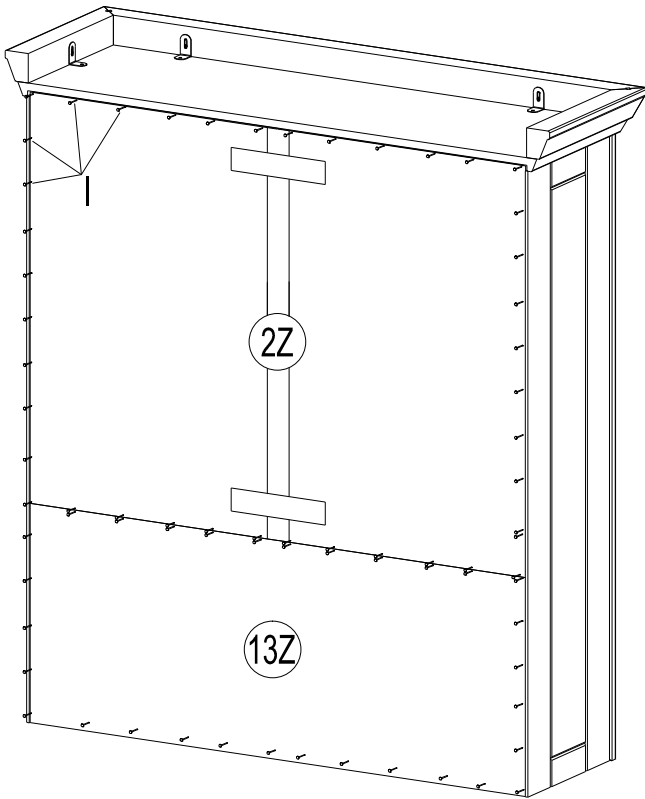
5

B 030110  
x10



6

I 220043  
1.2x20  
x2



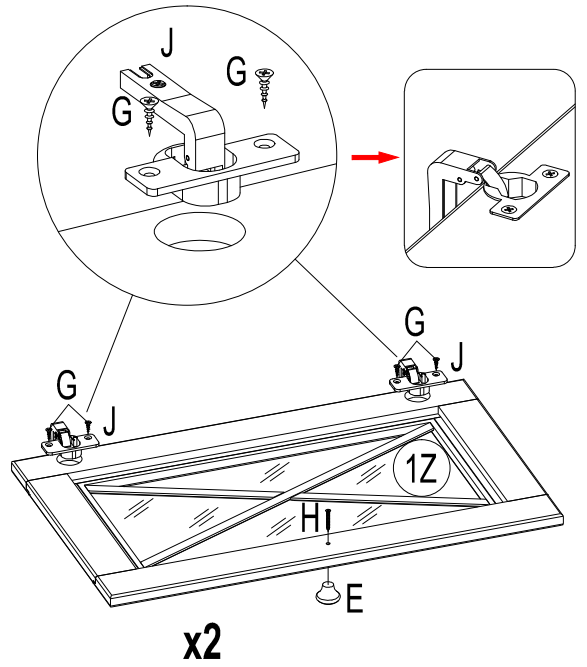
7

E 210057  
x2

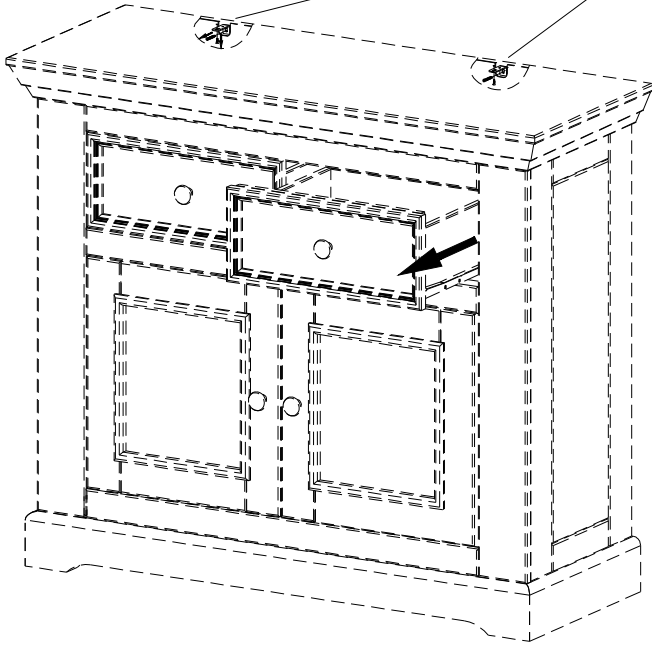
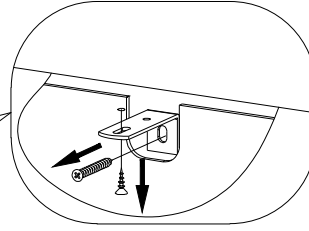
G 250012  
3.5x15  
x8

H 250042  
4x35  
x2



J 180056  
x4

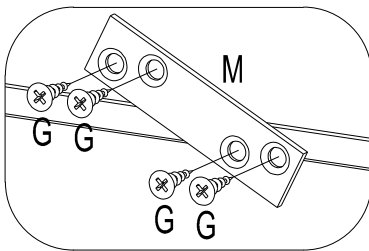
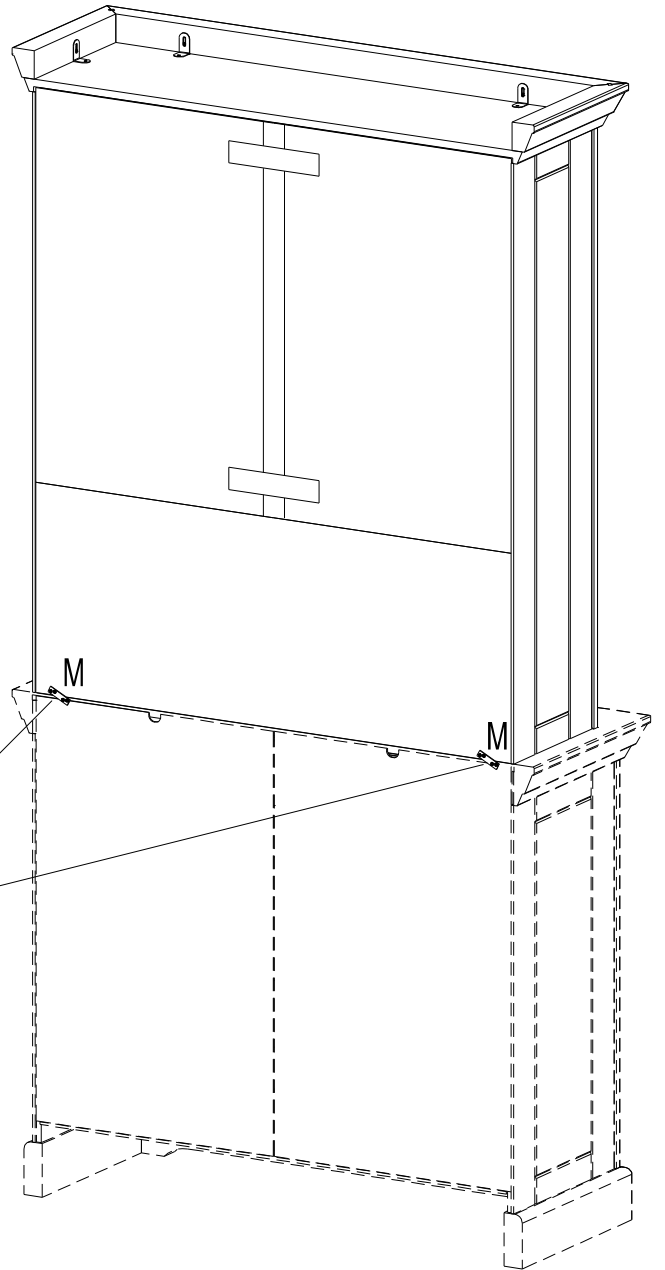


8

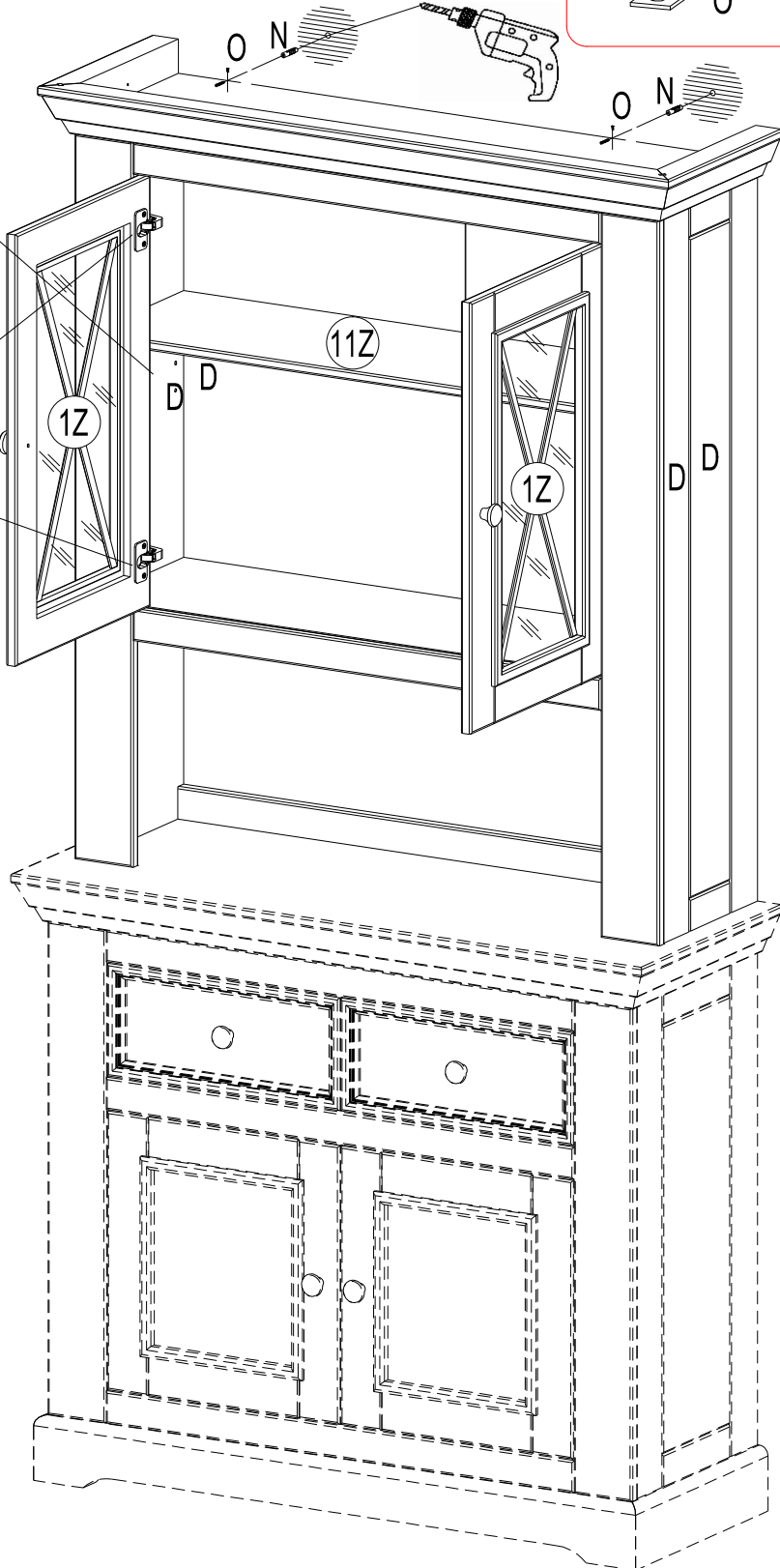
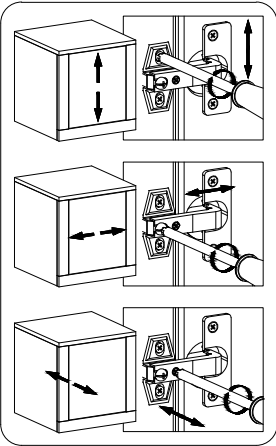
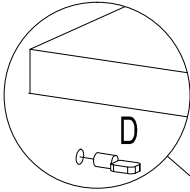
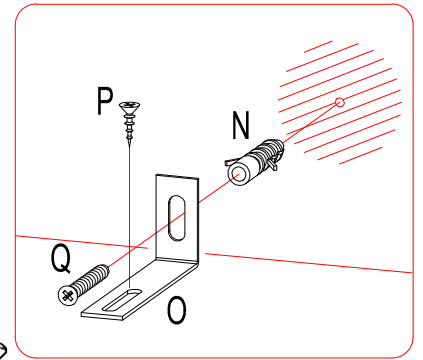
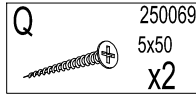
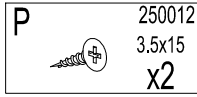
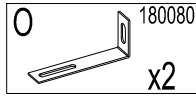
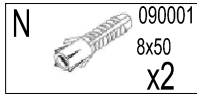
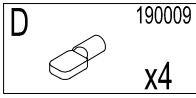


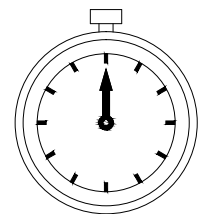
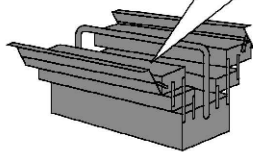
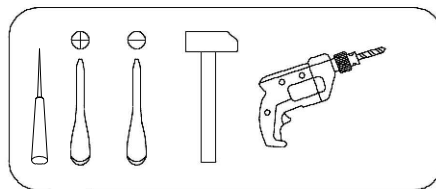
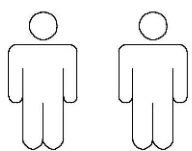
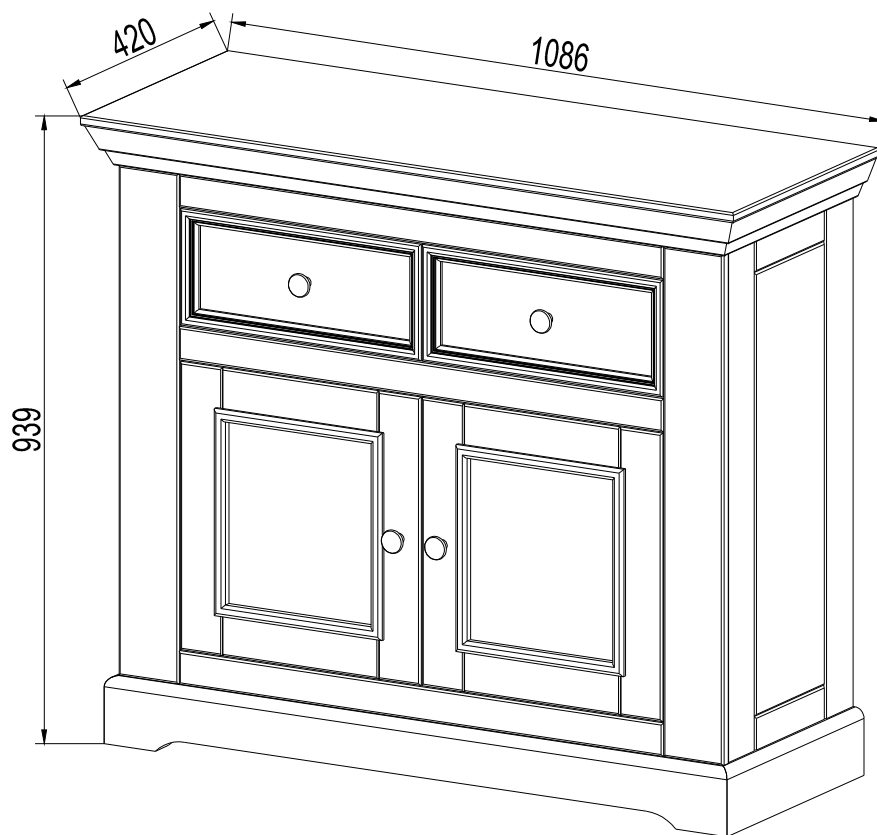
9

<b>G</b>		250012 3.5x15 x8	<b>M</b>		180017 x2
----------	--	------------------------	----------	---	--------------



10



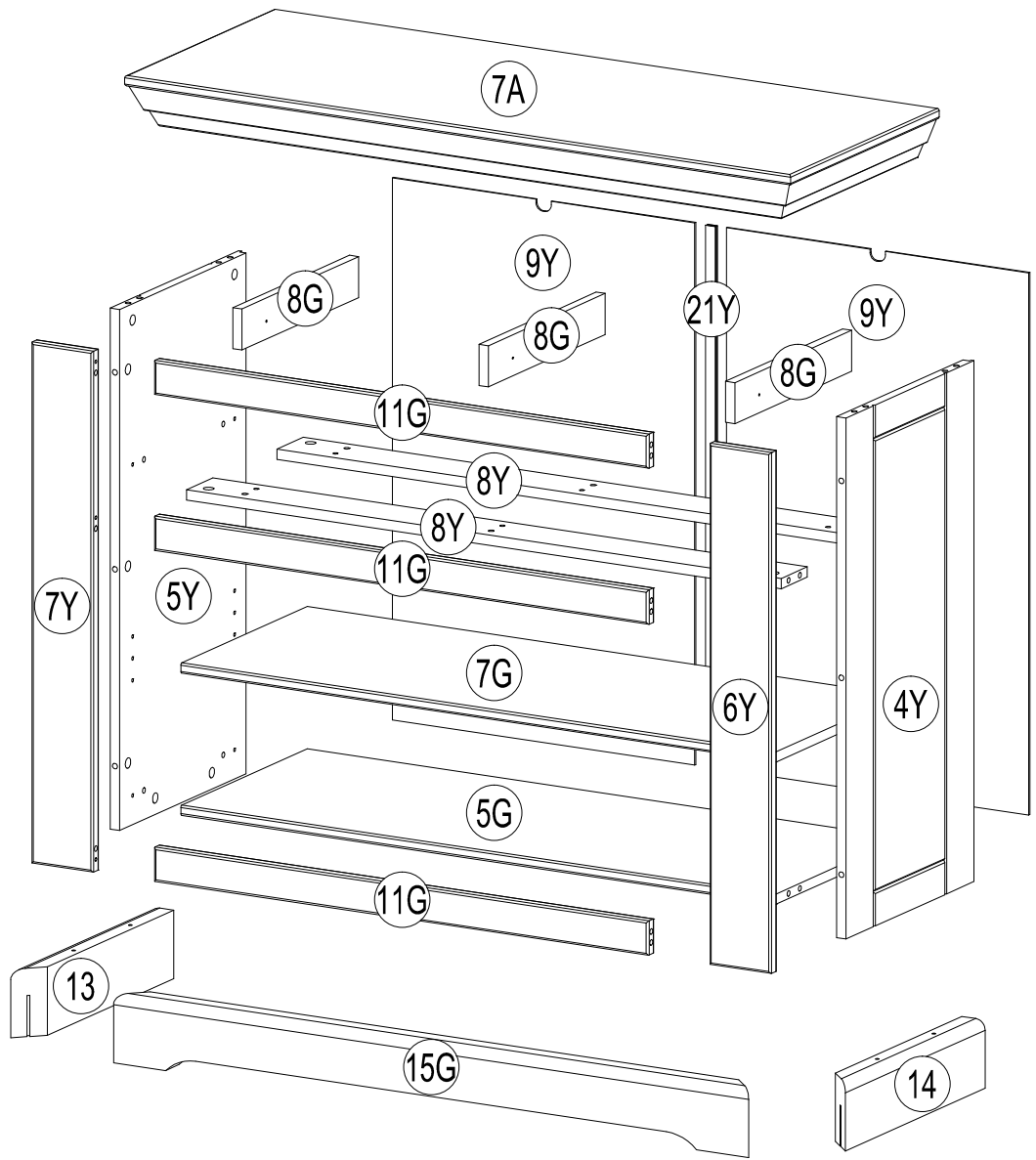


**180 min**

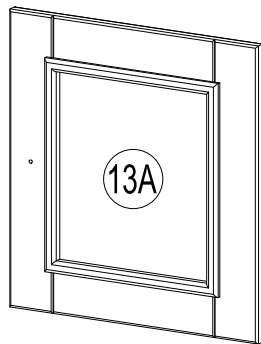
Achtung bei Reklamationen bitte den EAN rausschneiden und zurücksenden  
und die Montageanleitung beifügen



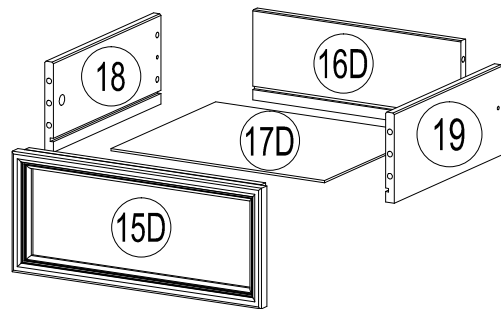
0  
10  
20  
30  
40  
50  
60  
70  
80  
90  
100  
110  
120  
130  
140  
150  
160  
170  
180  
190  
200









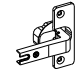

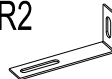


x2

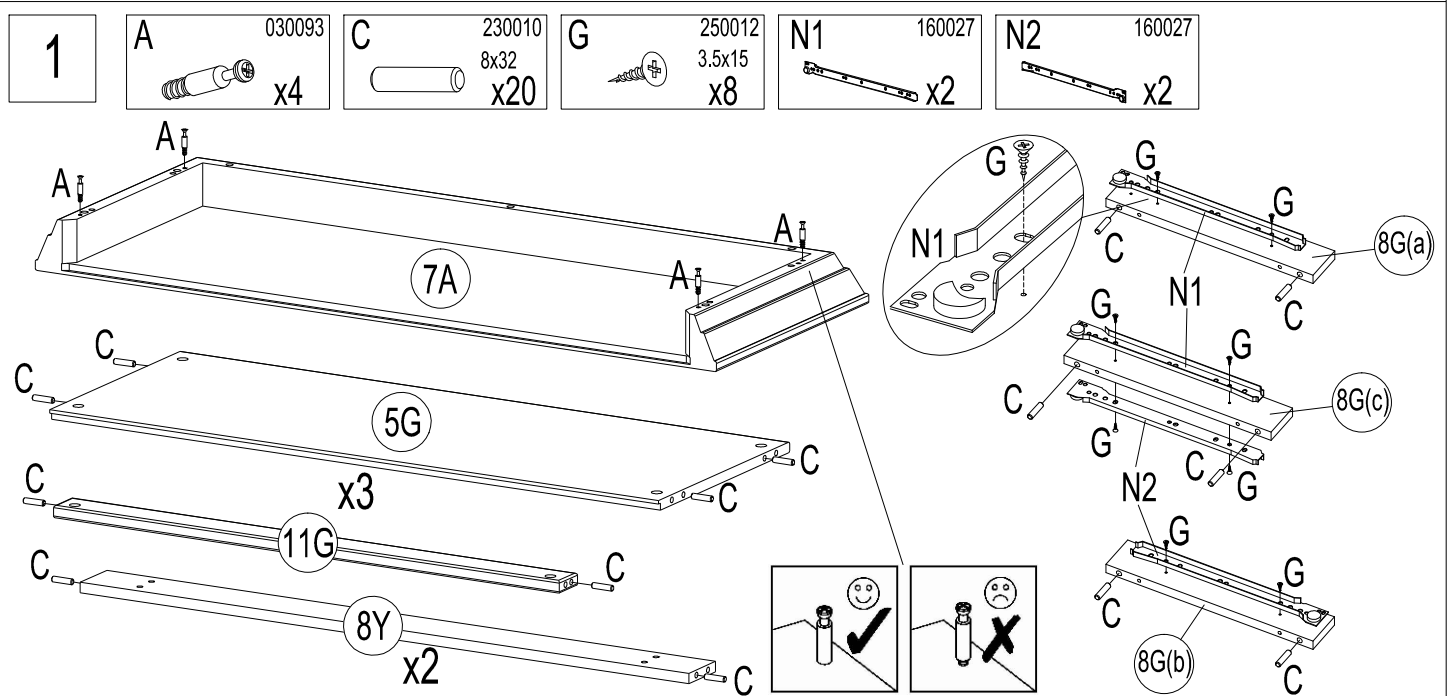


x2



<b>A</b> 030093  x32	<b>B</b> 030110  x32	<b>C</b> 230010 8x32 x40	<b>D</b> 190009  x4	<b>E</b> 210057  x4	<b>F</b> 070017 30x30 x4
<b>G</b> 250012 3.5x15 x30	<b>H</b> 250042 4x35 x8	<b>I</b> 030034 7x50 x6	<b>J</b> 220043 1.2x20 x2	<b>K</b> 110022 SW 4 x1	<b>L</b> 220017 60 mm x2
<b>M1</b> 160027  x2	<b>M2</b> 160027  x2	<b>N1</b> 160027  x2	<b>N2</b> 160027  x2	<b>O</b> 180056  x4	<b>P</b> a) 180034 b)x2 x4
<b>Q</b> 180074  x1	<b>R1</b> 090001 8x50 x2		<b>R2</b> 180080  x2	<b>R3</b> 250012 3.5x15 x2	<b>R4</b> 250069 5x50 x2

No	Size/MaB (mm)	Qty	✓	No	Size/MaB (mm)	Qty	✓
4Y	762x362x15	1	✓	11G	806x50x18	3	✓
5Y	762x362x15	1	✓	15G	1036x100x38	1	✓
6Y	762x100x18	1	✓	13	395x100x38	1	✓
7Y	762x100x18	1	✓	14	395x100x38	1	✓
8Y	970x74x15	2	✓	13A	430x400x27	2	✓
9Y	793x493x3	2	✓	15D	400x172x33	2	✓
21Y	770x17x7	1	✓	16D	334x130x14	2	✓
7A	1086x420x77	1	✓	17D	343x292x3	2	✓
5G	970x362x15	1	✓	18	300x130x14	2	✓
7G	970x357x15	1	✓	19	300x130x14	2	✓
8G	330x60x15	3	✓				



3-7

**2**

<b>A</b>	030093 x20	<b>C</b>	230010 8x32 x4	<b>P</b>	a) 180034 b)x2	x4
----------	---------------	----------	----------------------	----------	-------------------	----

Diagram illustrating the assembly of a long rectangular frame using screws A and spacers C. The frame is composed of sections 5Y, 4Y, 7Y, and 6Y. Screws A are used to secure the frame. Spacers C are used to maintain distance between the frame sections. Part P (a) is used to secure the frame to a surface. A circular inset shows a close-up of the P part being attached. Two icons show the correct (smiley face) and incorrect (sad face) placement of the P part.

**3**

<b>A</b>	030093 x4	<b>F</b>	070017 30x30 x4	<b>L</b>	220017 60 mm x2
----------	--------------	----------	-----------------------	----------	-----------------------

Diagram illustrating the assembly of a U-shaped frame using screws A, spacers L, and F. The frame is composed of sections 14, 15G, 13, and 12. Screws A are used to secure the frame. Spacers L and F are used to maintain distance between the frame sections. A circular inset shows a close-up of spacer L being inserted into the frame. Two icons show the correct (smiley face) and incorrect (sad face) placement of the spacer L.

1

2

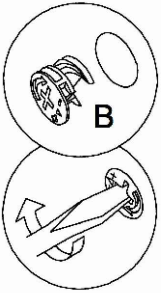
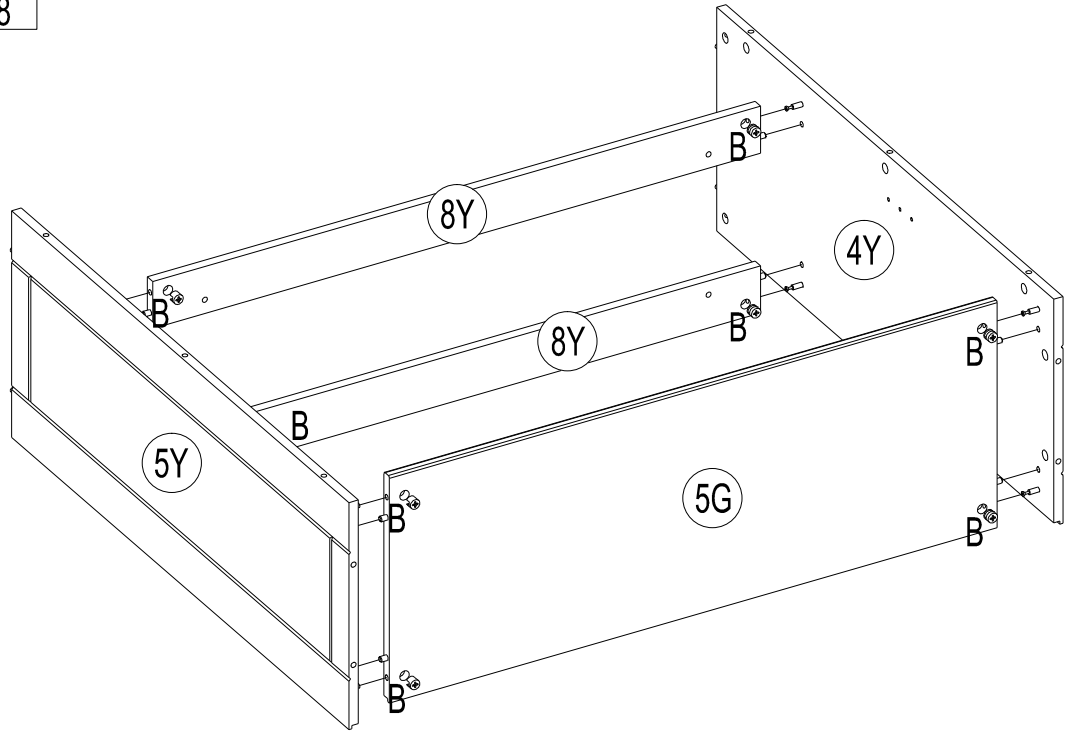
**4**

<b>B</b>	030110 x6
----------	--------------

Diagram illustrating the assembly of a rectangular frame using screws B. The frame is composed of sections 11G, 7Y, and 6Y. Screws B are used to secure the frame. A circular inset shows a close-up of screw B being inserted into the frame. Two icons show the correct (smiley face) and incorrect (sad face) placement of the screw B.

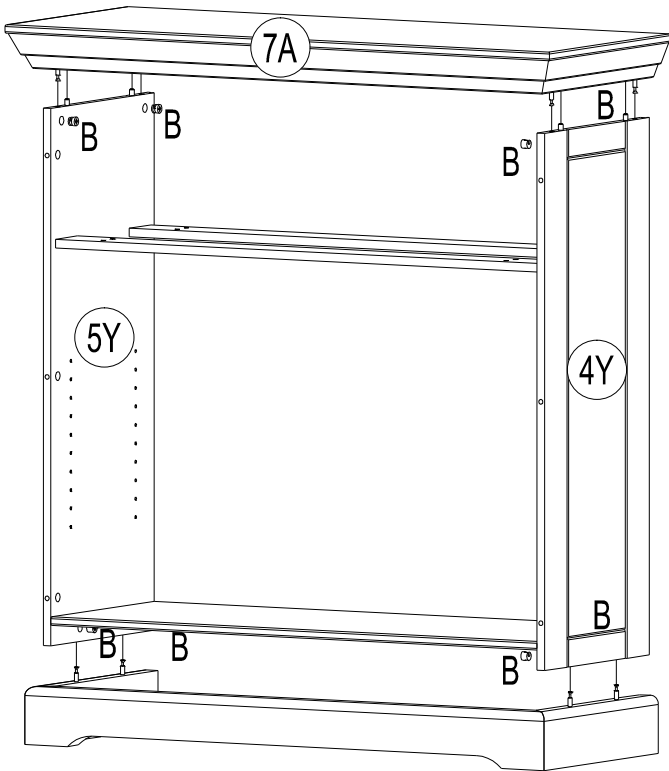
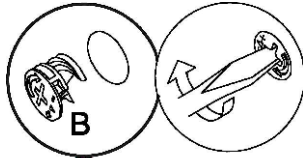
5

B 030110  
x8



6

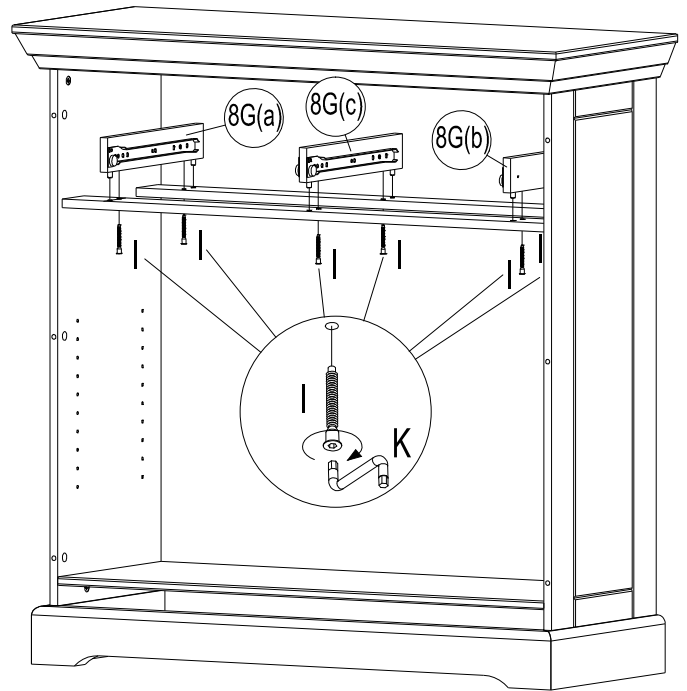
B 030110  
x8

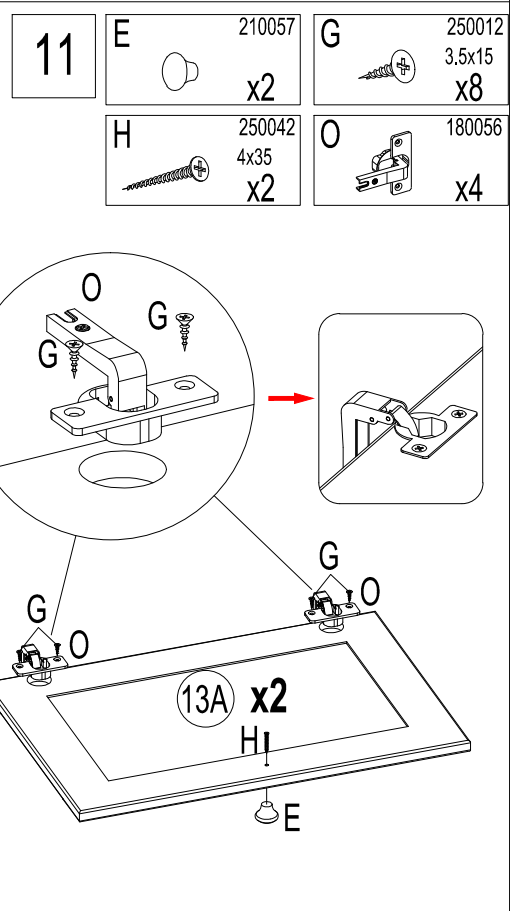
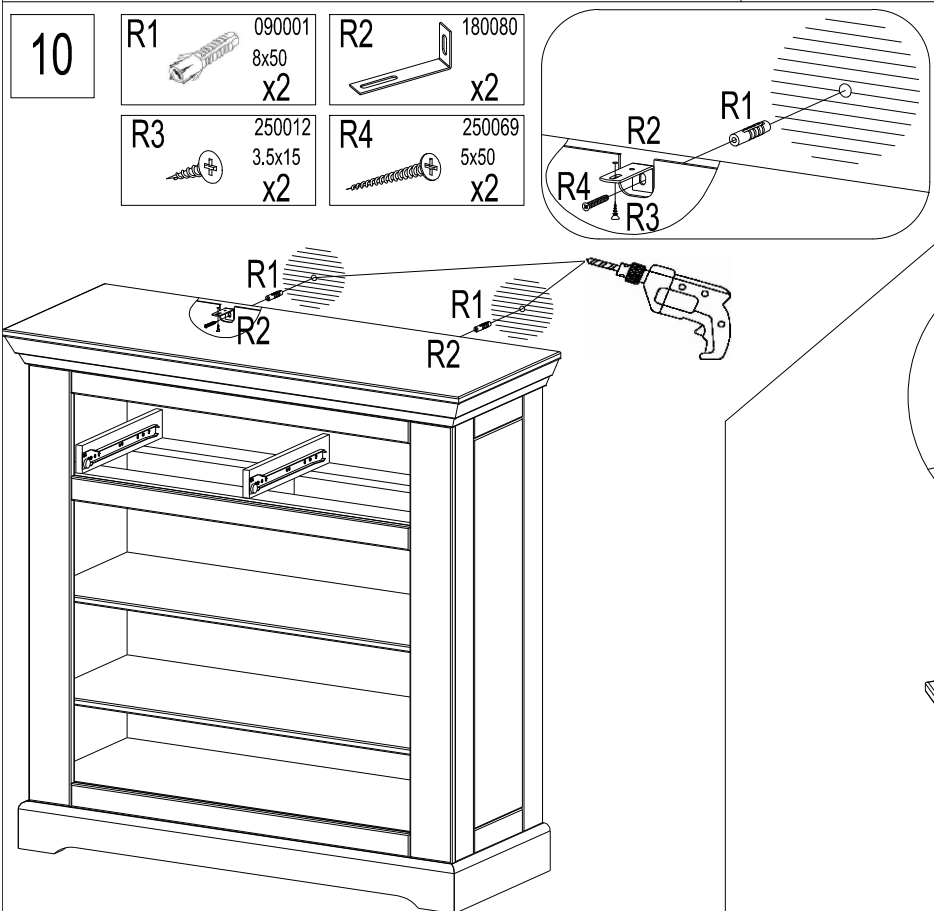
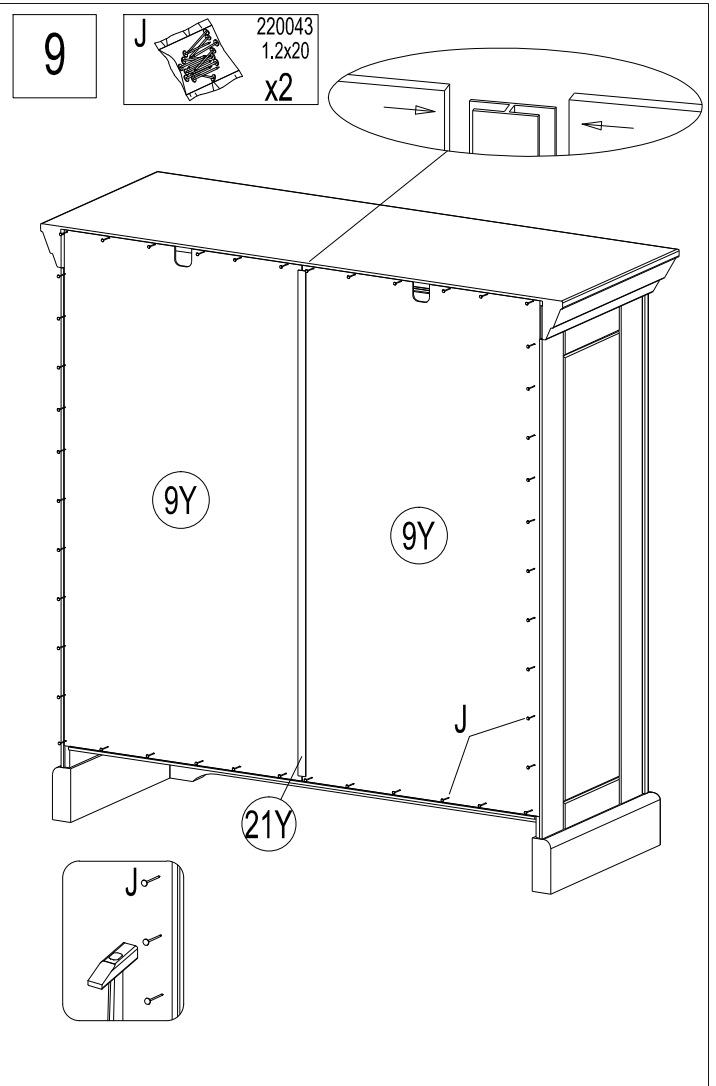
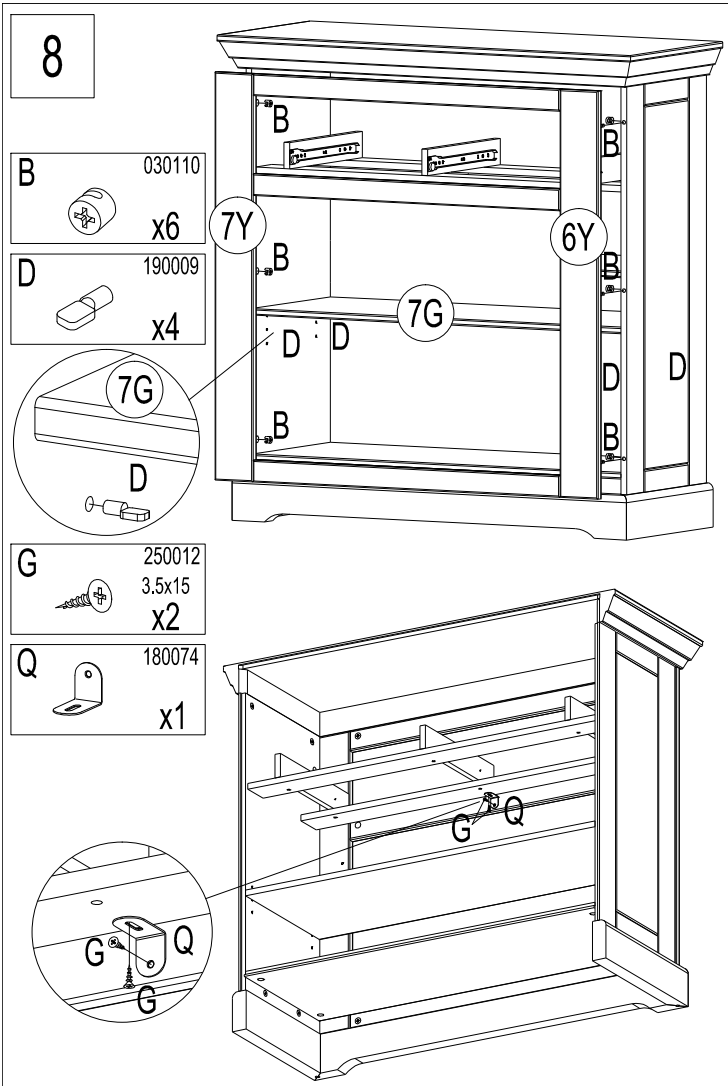


7

I 030034  
7x50  
x6

K 110022  
SW 4  
x1





12

A 030093  
x4

B 030110  
x4

C 230010  
8x32  
x16

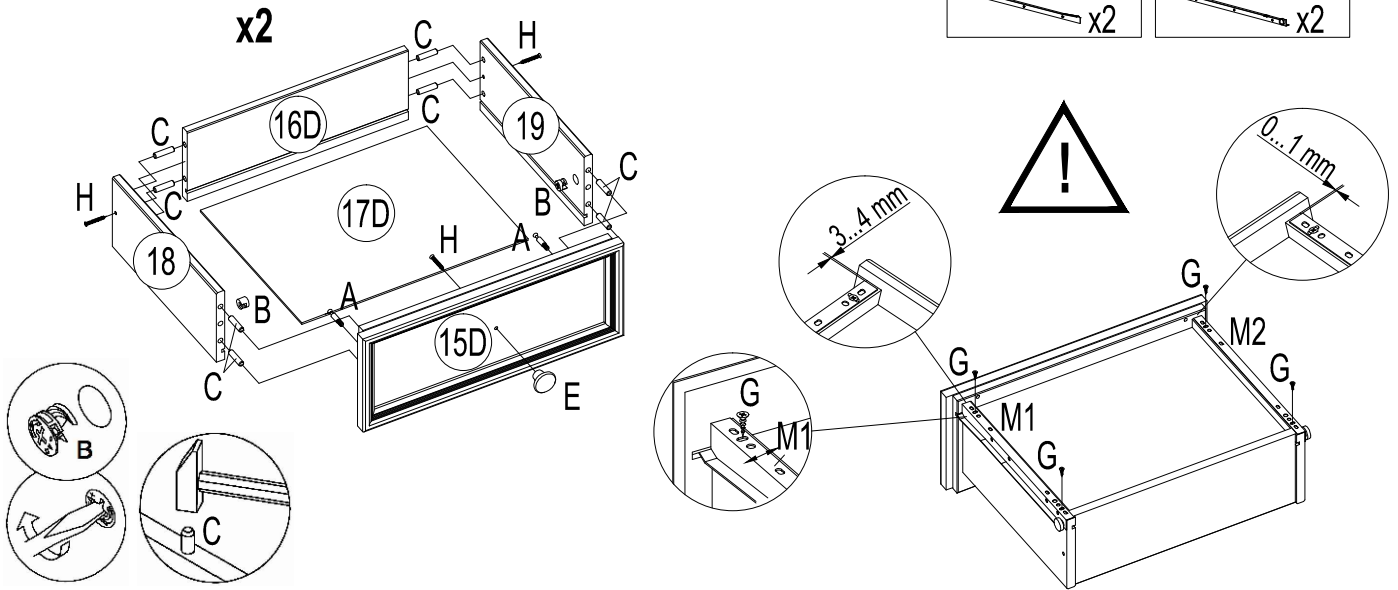
E 210057  
x2

G 250012  
3.5x15  
x8

H 250042  
4x35  
x6

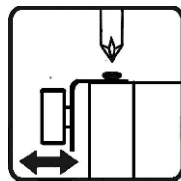
M1 160027  
x2

M2 160027  
x2



13

G 250012  
3.5x15  
x4



"Die Schubkastenschiene kann bei Bedarf durch Lösen und Fixieren der Schraube am Langloch eingestellt und nachjustiert werden"

