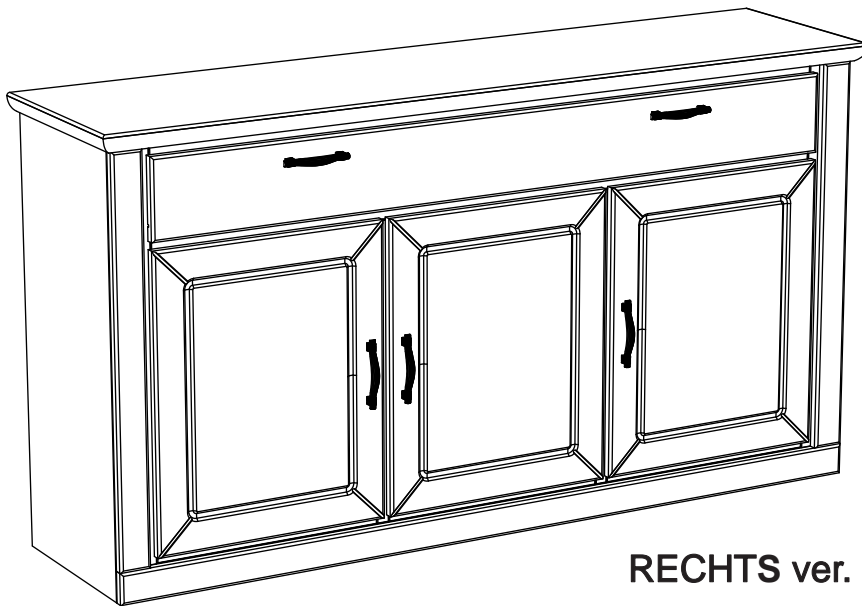


LINKS ver.



RECHTS ver.

**Assembled size / Maße aufgebaut :**

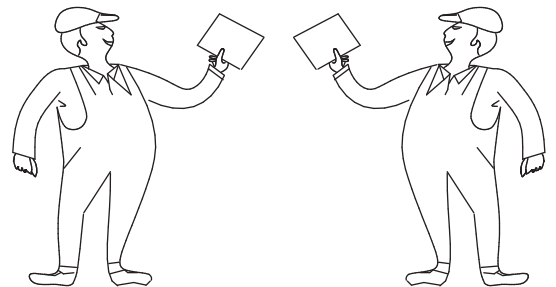
**Height / Höhe : 861 mm.**

**Width / Breite : 1604 mm.**

**Depth / Tiefe : 405 mm.**

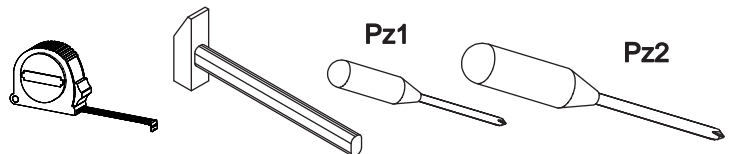
This unit can be assembled by two persons.

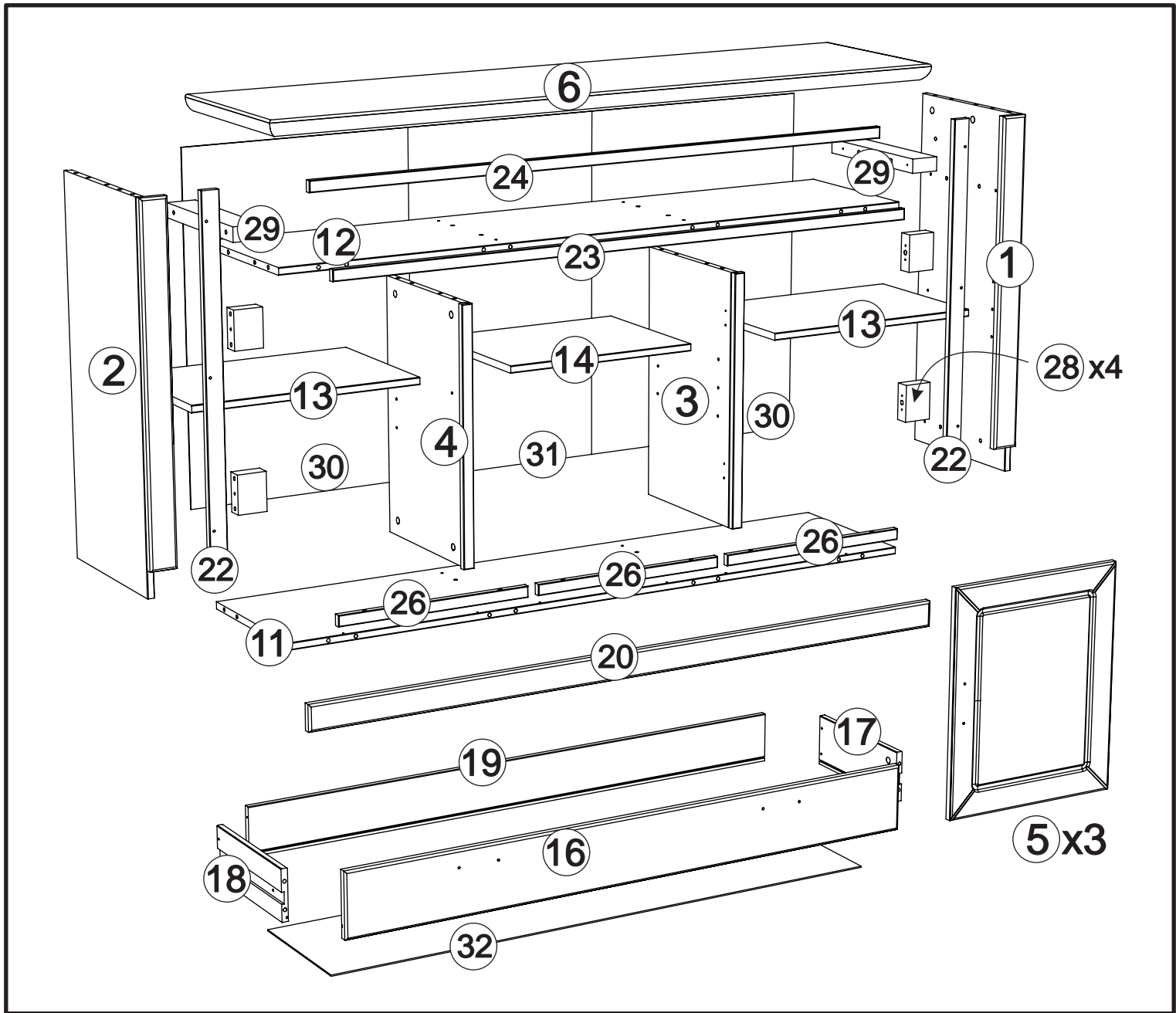
Aufbau mit zwei Personen.

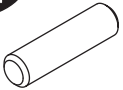
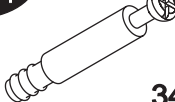


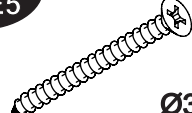
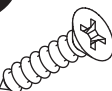
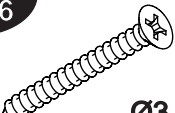
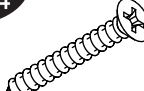
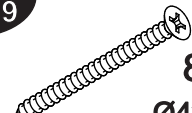

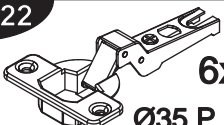

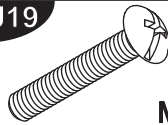

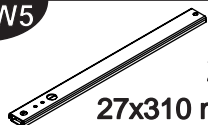
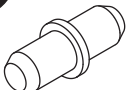

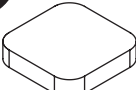
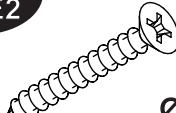
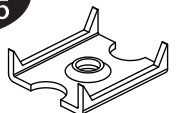

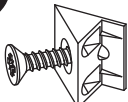


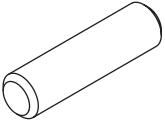
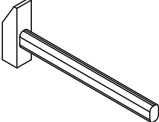
The necessary tools  
(not included)

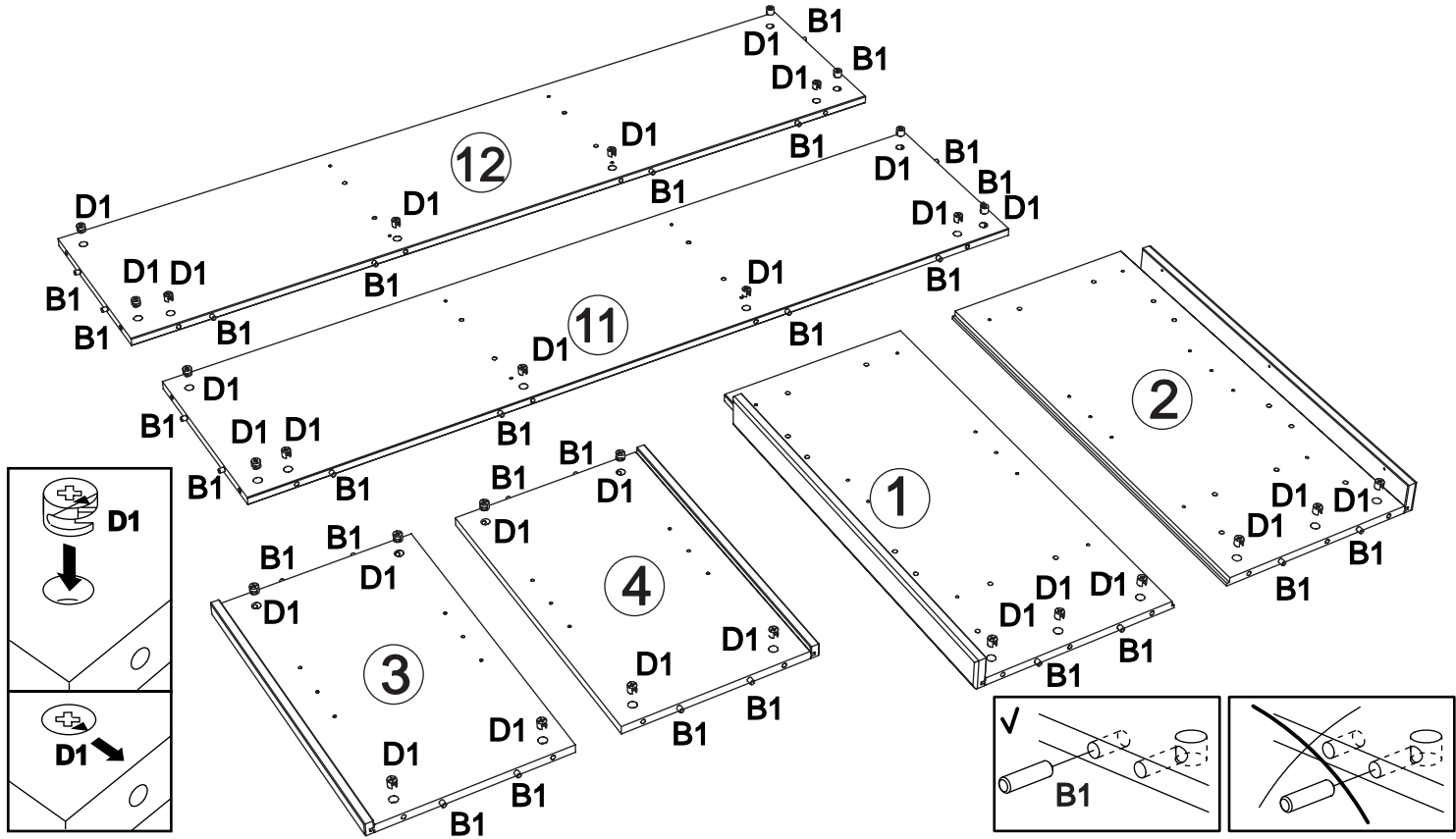
Die dazu benötigten Werkzeuge  
(ausschliesslich)



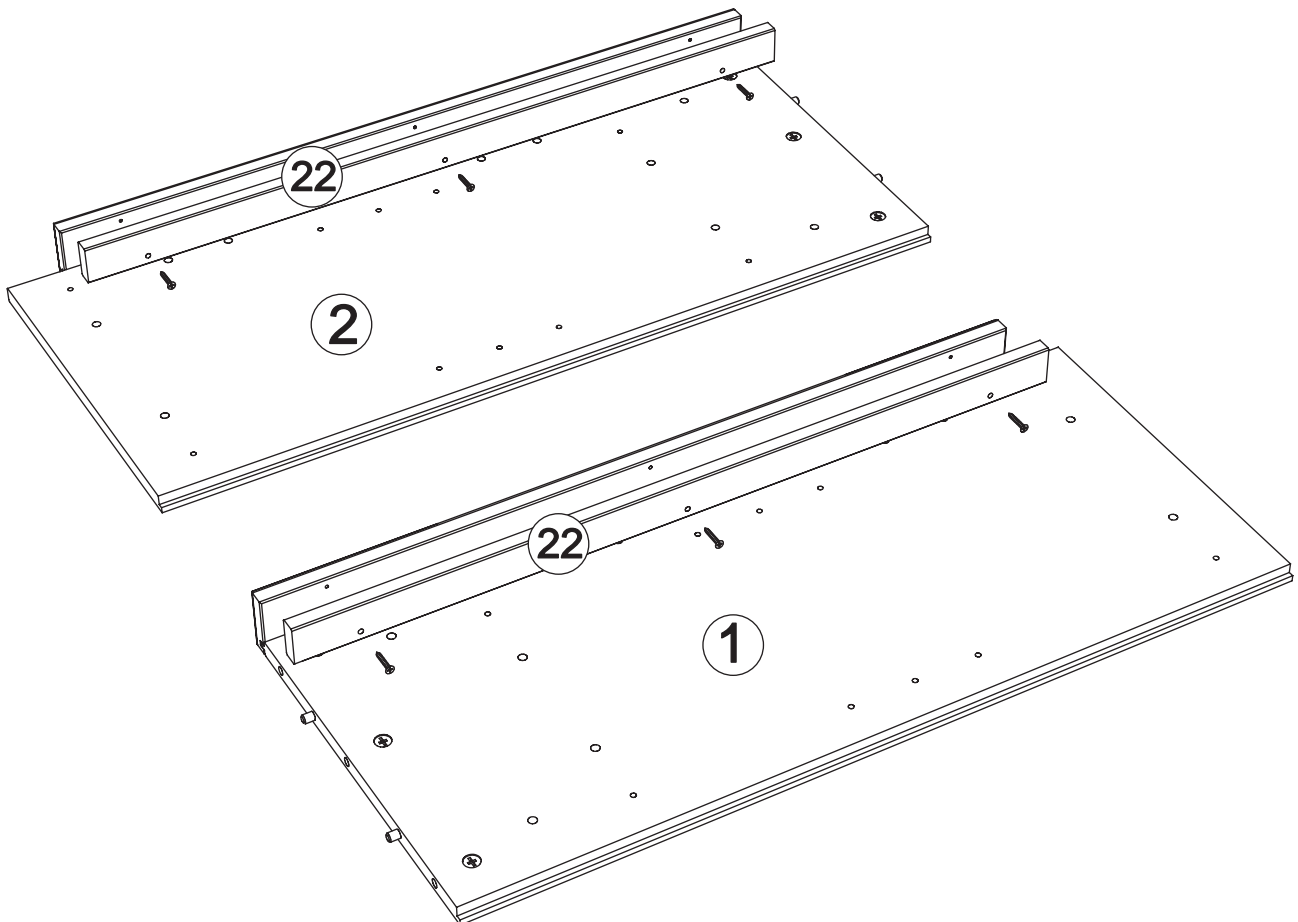



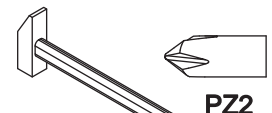
<b>B1</b>  42x Ø8x35	<b>C1</b>  32x 34 mm	<b>D1</b>  32x 12 mm	<b>D3</b>  10x Ø17	<b>E5</b>  4x Ø3x30
<b>F2</b>  32x Ø3.5x15	<b>F6</b>  10x Ø3.5x35	<b>G4</b>  6x Ø4x25	<b>G9</b>  8x Ø4x50	<b>P13</b>  6x H0
<b>V22</b>  6x Ø35 P H	<b>J1</b>  2x M4x12	<b>J19</b>  10x M4x24	<b>R17</b>  5x cc 96 mm	<b>W5</b>  2x 27x310 mm
<b>Q1</b>  12x	<b>L15</b>  2x 40x30x20	<b>X1</b>  4x	<b>E2</b>  6x Ø3x20	<b>H5</b>  6x
<b>F11</b>  32x Ø3.5x17M	<b>L2</b>  4x			



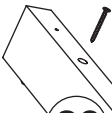
**1** B1 x 28 D1 x 30   



**2** G4 x 6    PZ2



**3** B1 x 12 G9 x 8  

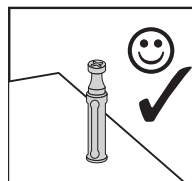
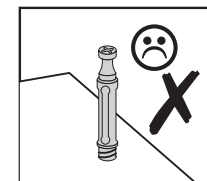
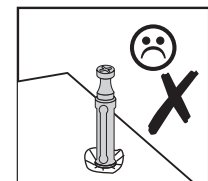
**1**   B1 

**1.** B1 B1 28 x 4

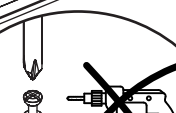
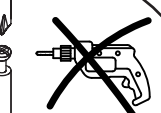
**1.** B1 B1 29 x 2

**2.** 21 mm FRONT

**4** C1 x 30  

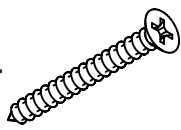
  

**1** **6** **11** **12** **20** **23** **2**

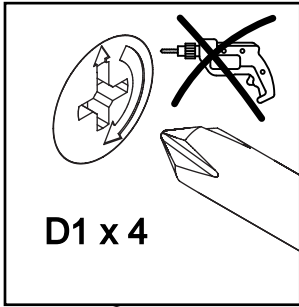
**P** C1  

5

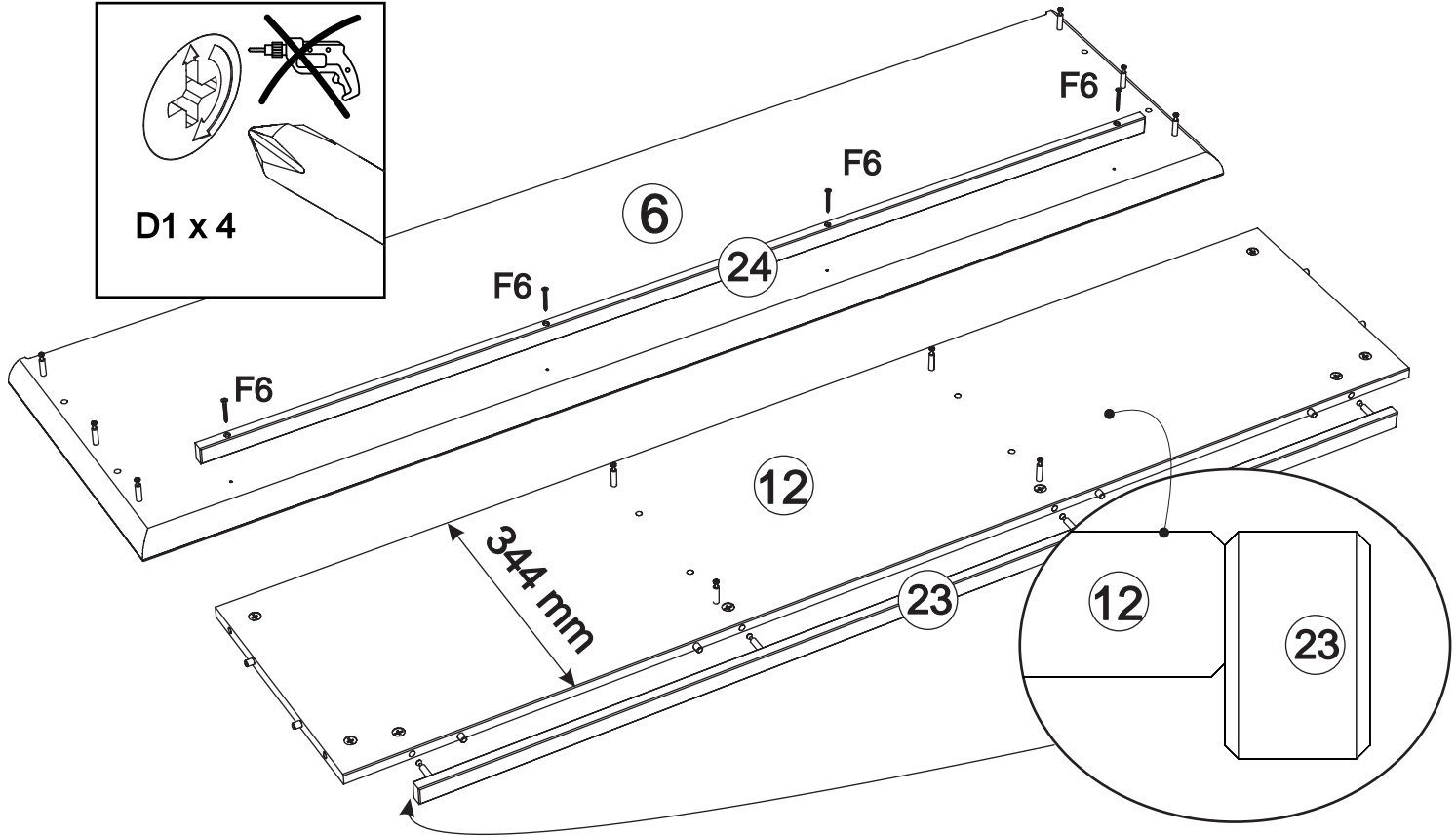
F6 x 4



PZ2



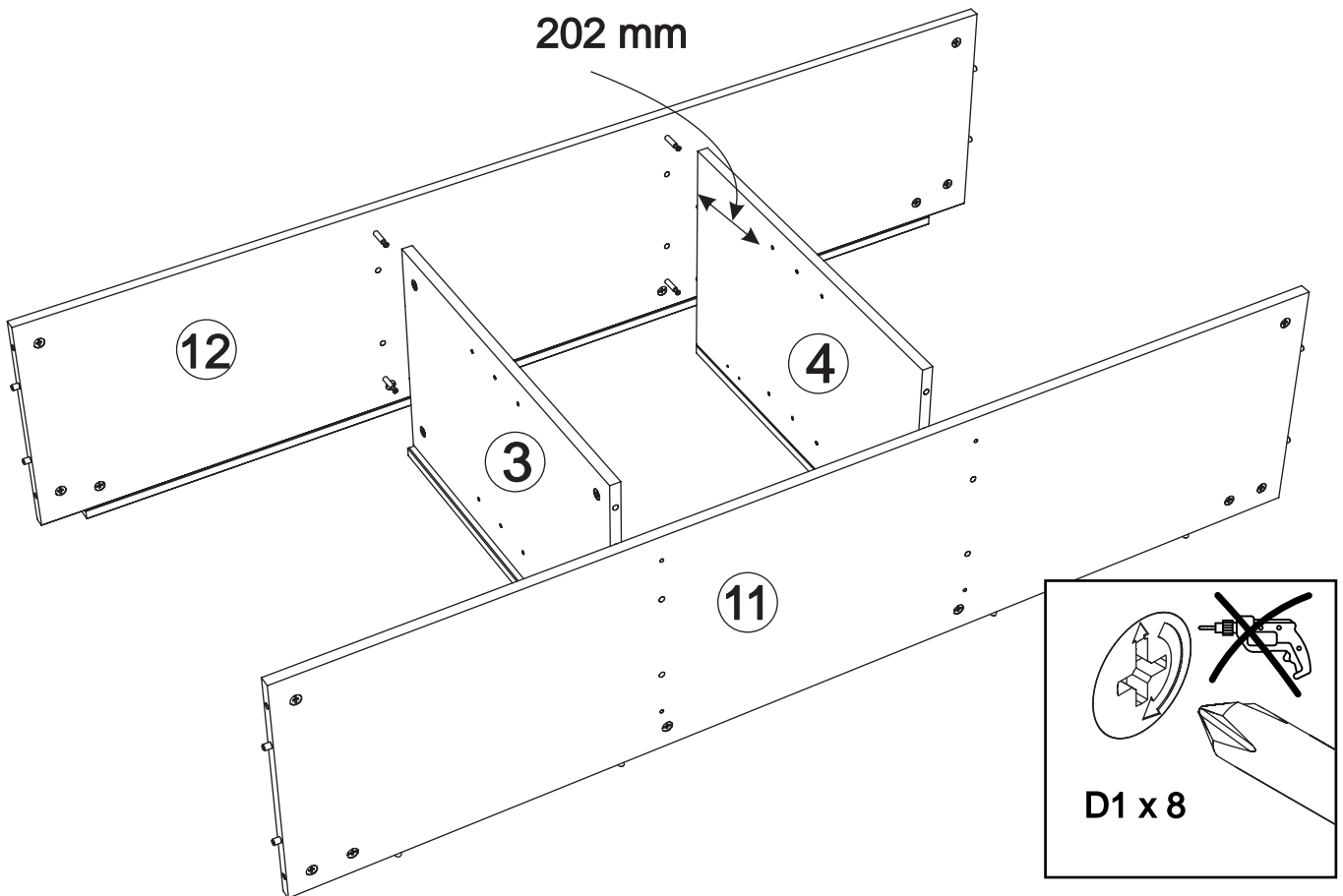
D1 x 4



6

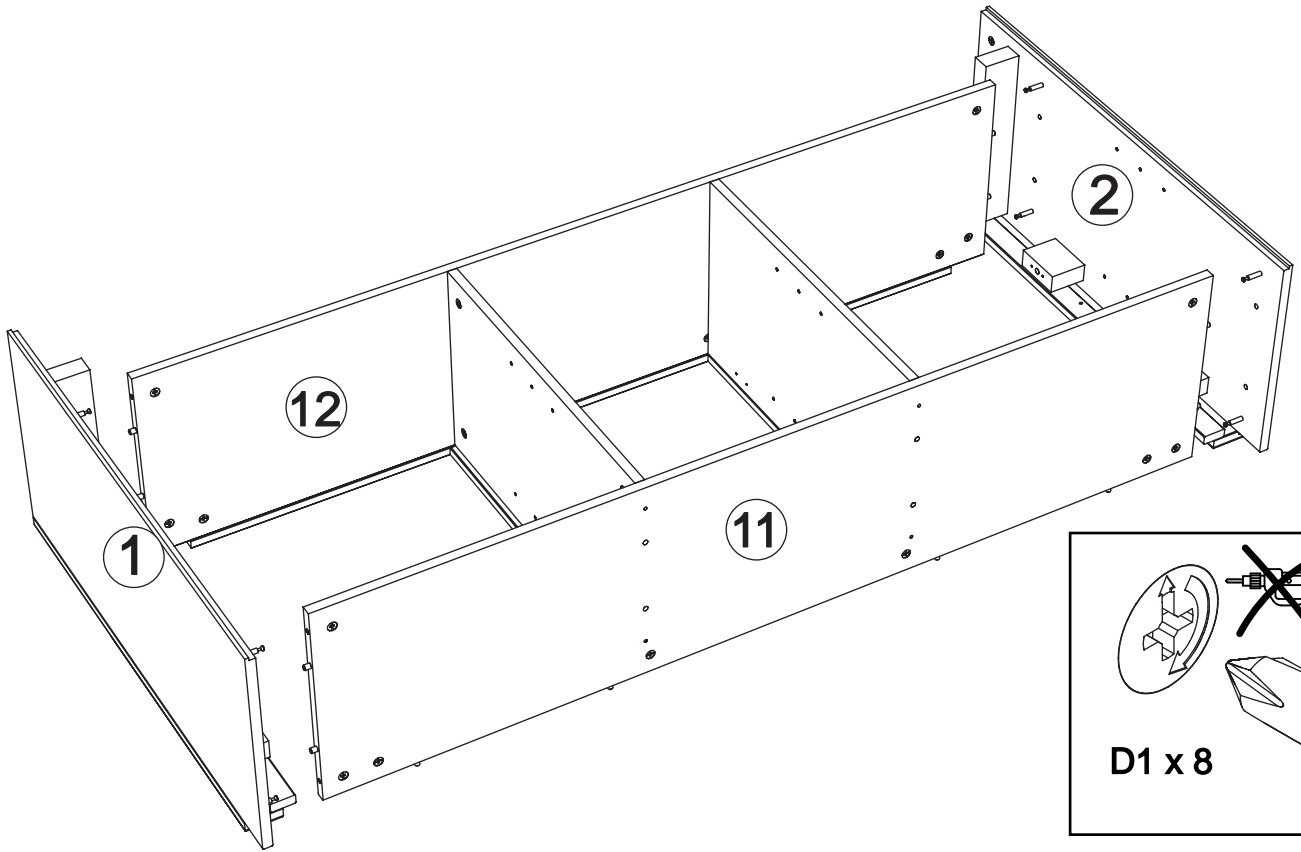
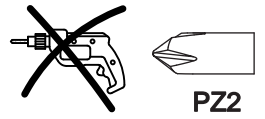


PZ2



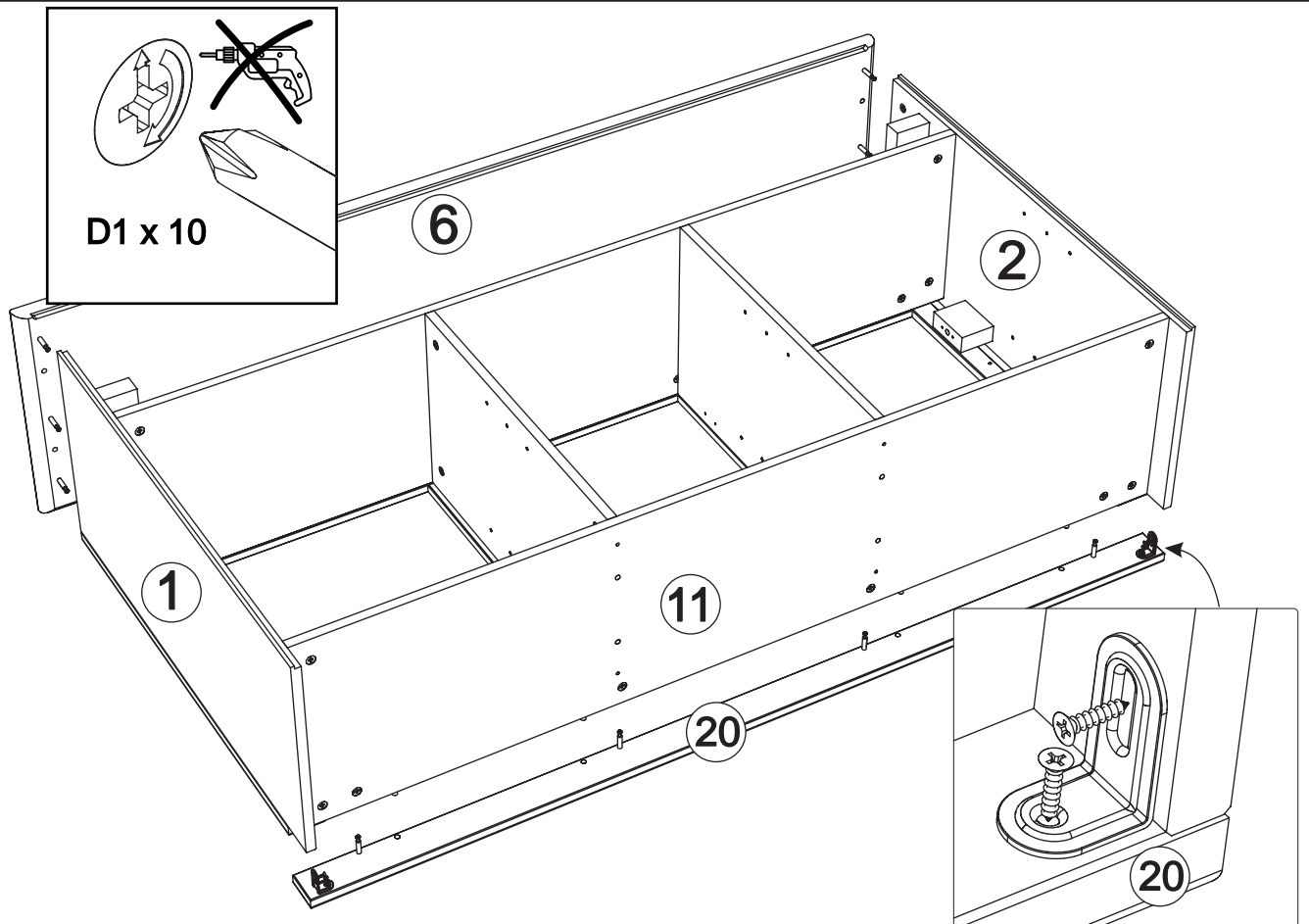
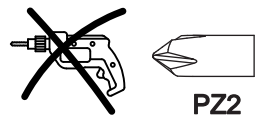
D1 x 8

7




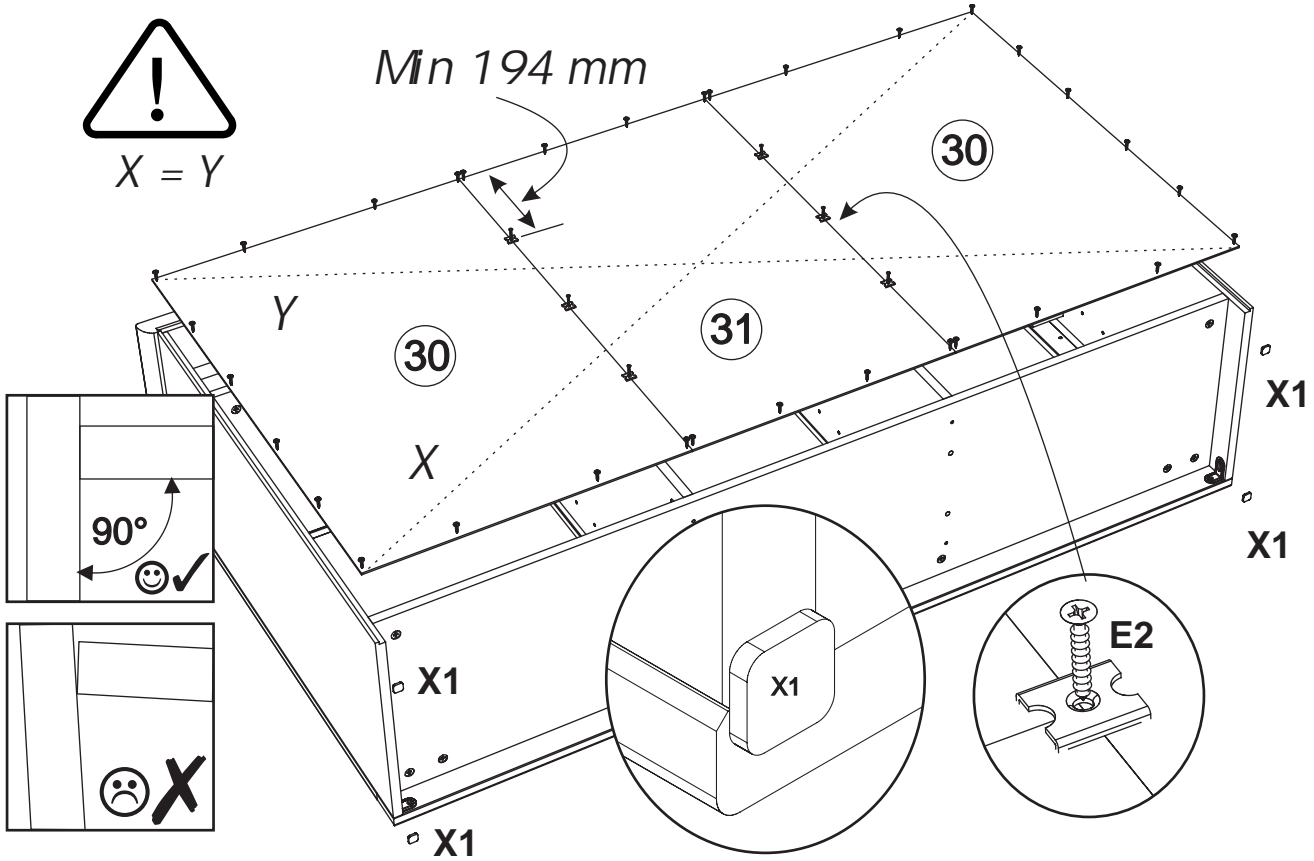
8

F2 x 4  L15 x 2 

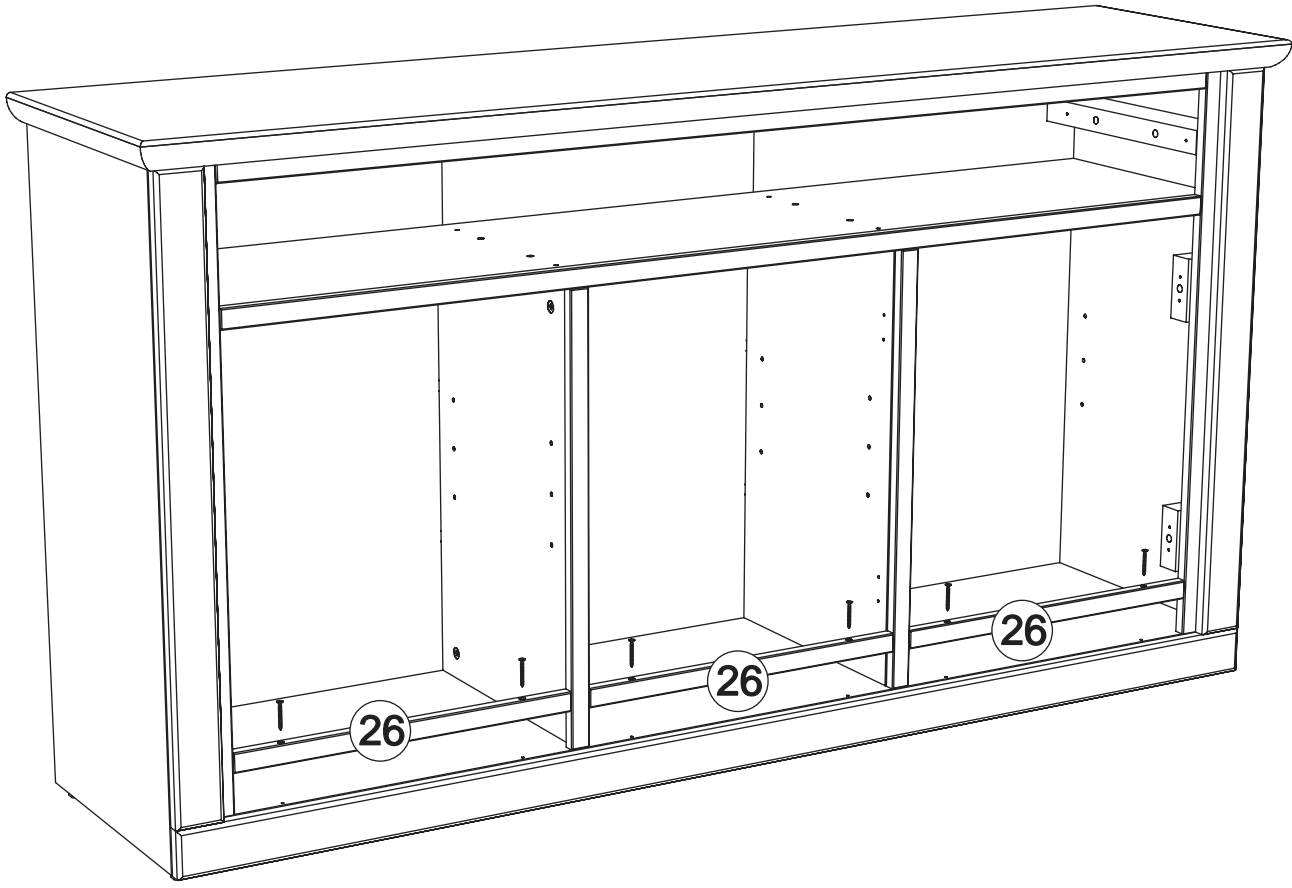




**9** F11 x 32 E2 x 6 H5 x 6 X1 x 4  PZ1

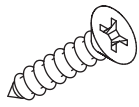


**10** F6 x 6  PZ2

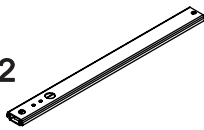


11

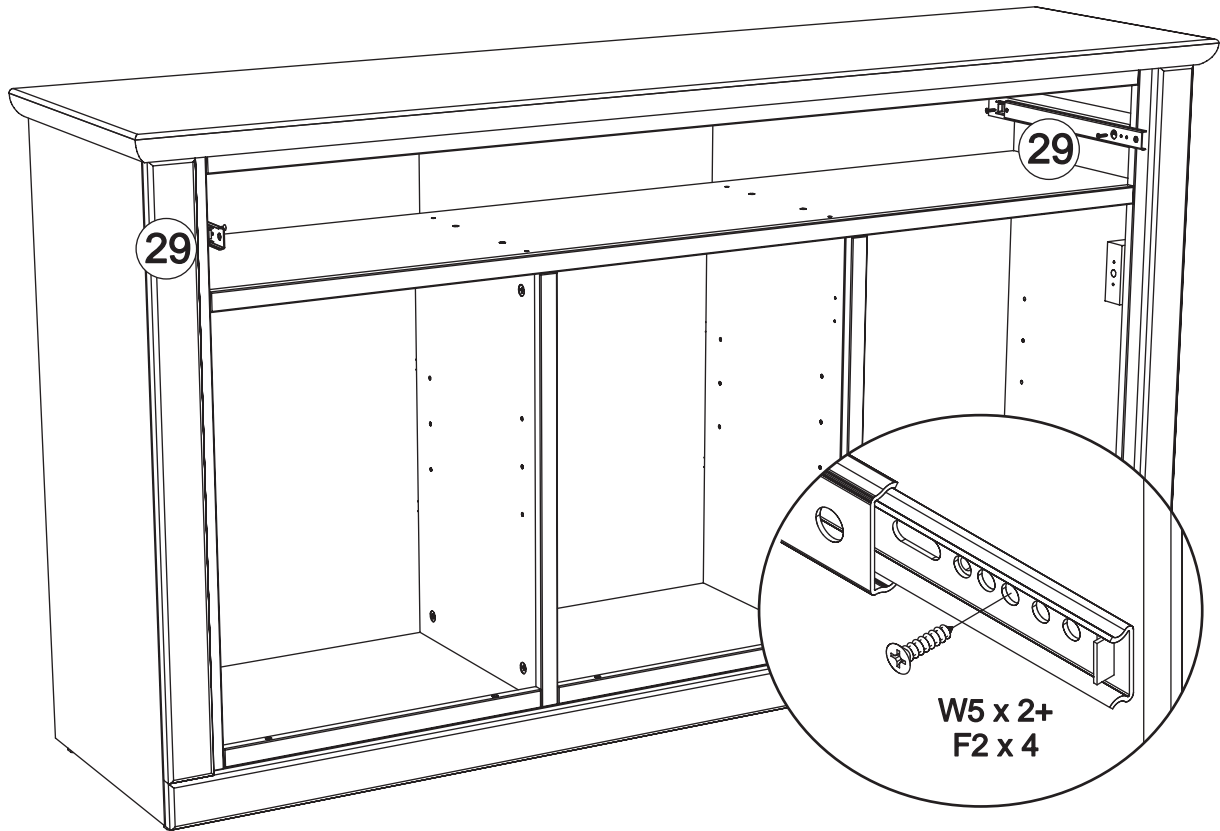
F2 x 4



W5 x 2

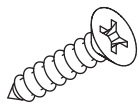


PZ2

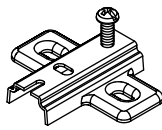


12

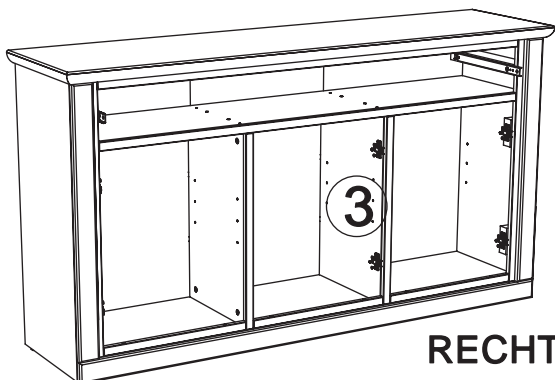
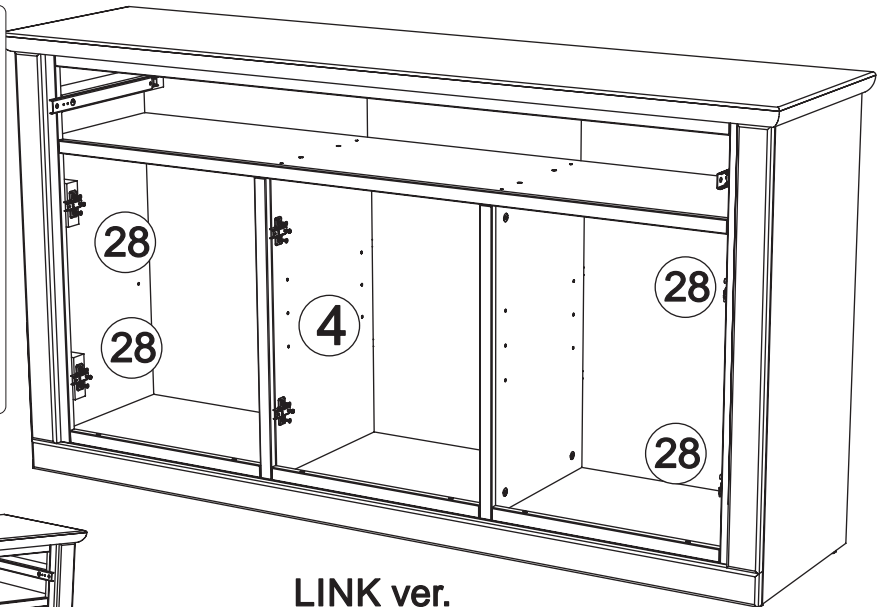
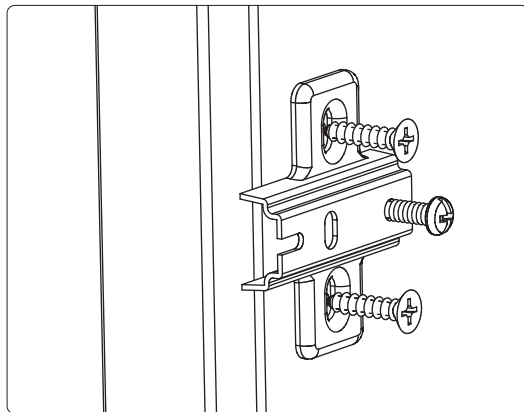
F2 x 12



P13 x 6

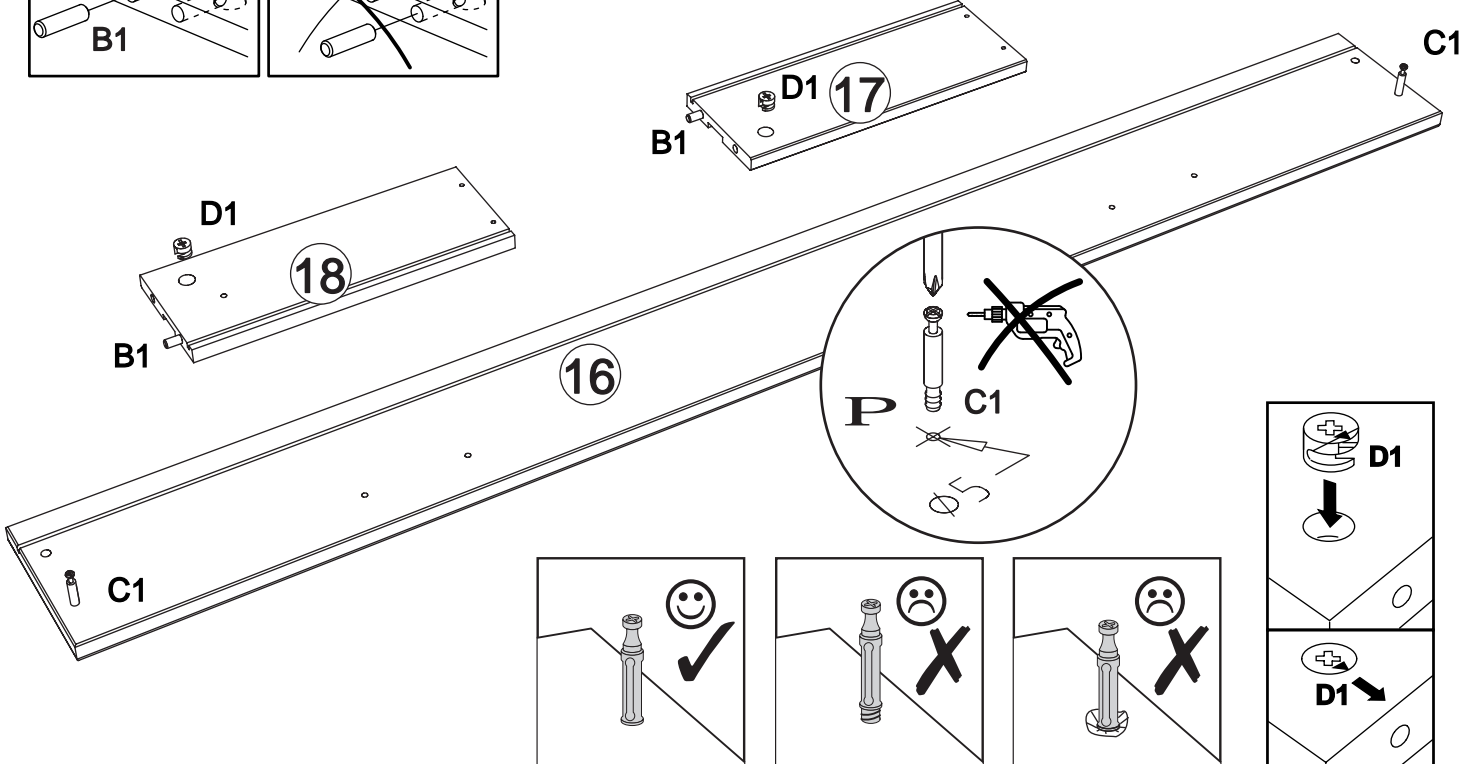
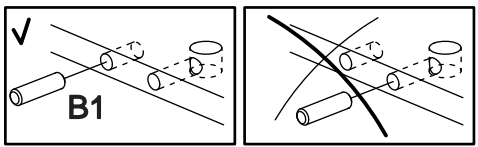


PZ2

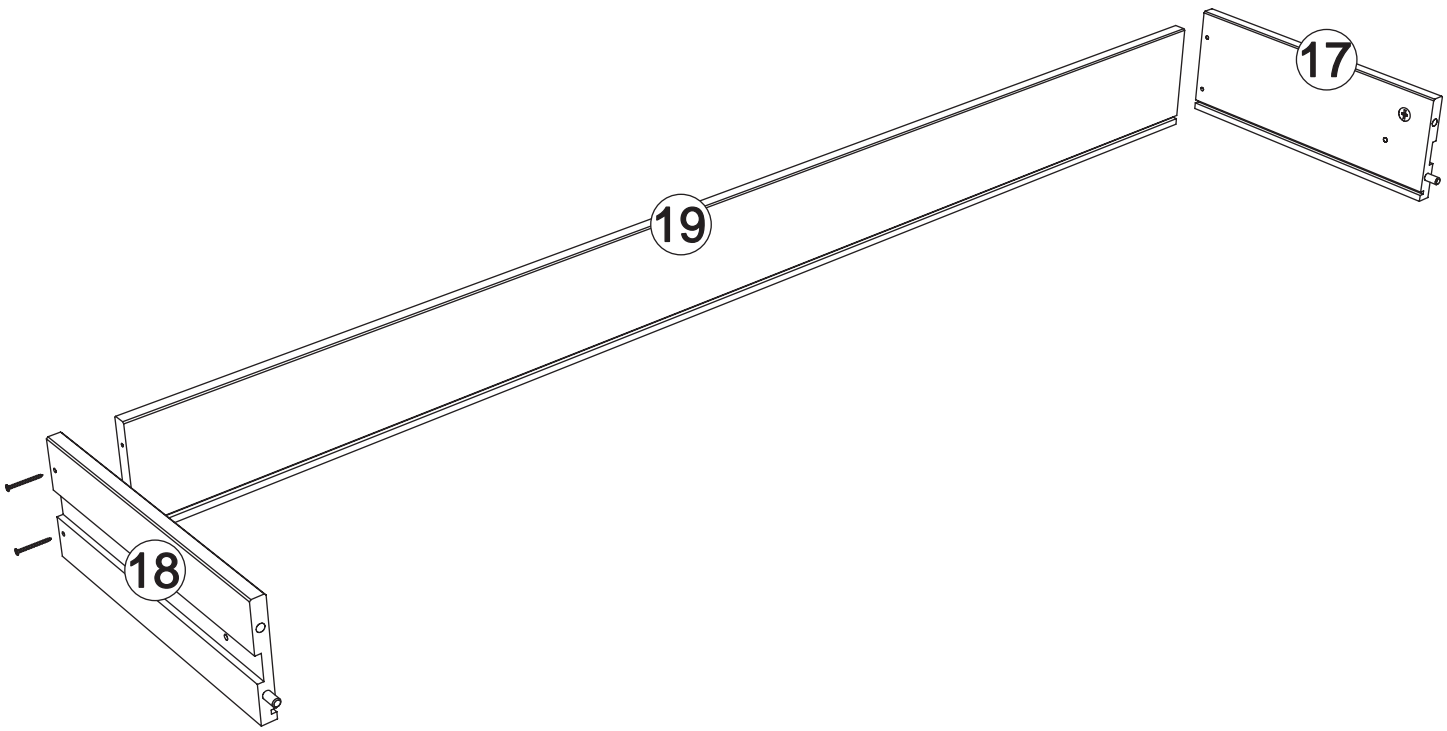




**13** B1 x 2 D1 x 2 C1 x 2 PZ2

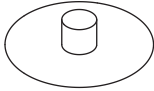


**14** E5 x 4 PZ1

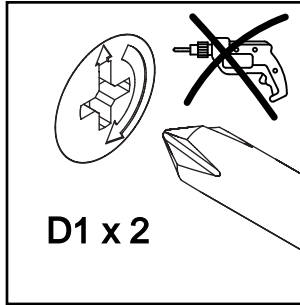


15

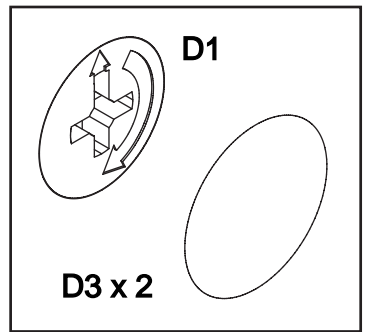
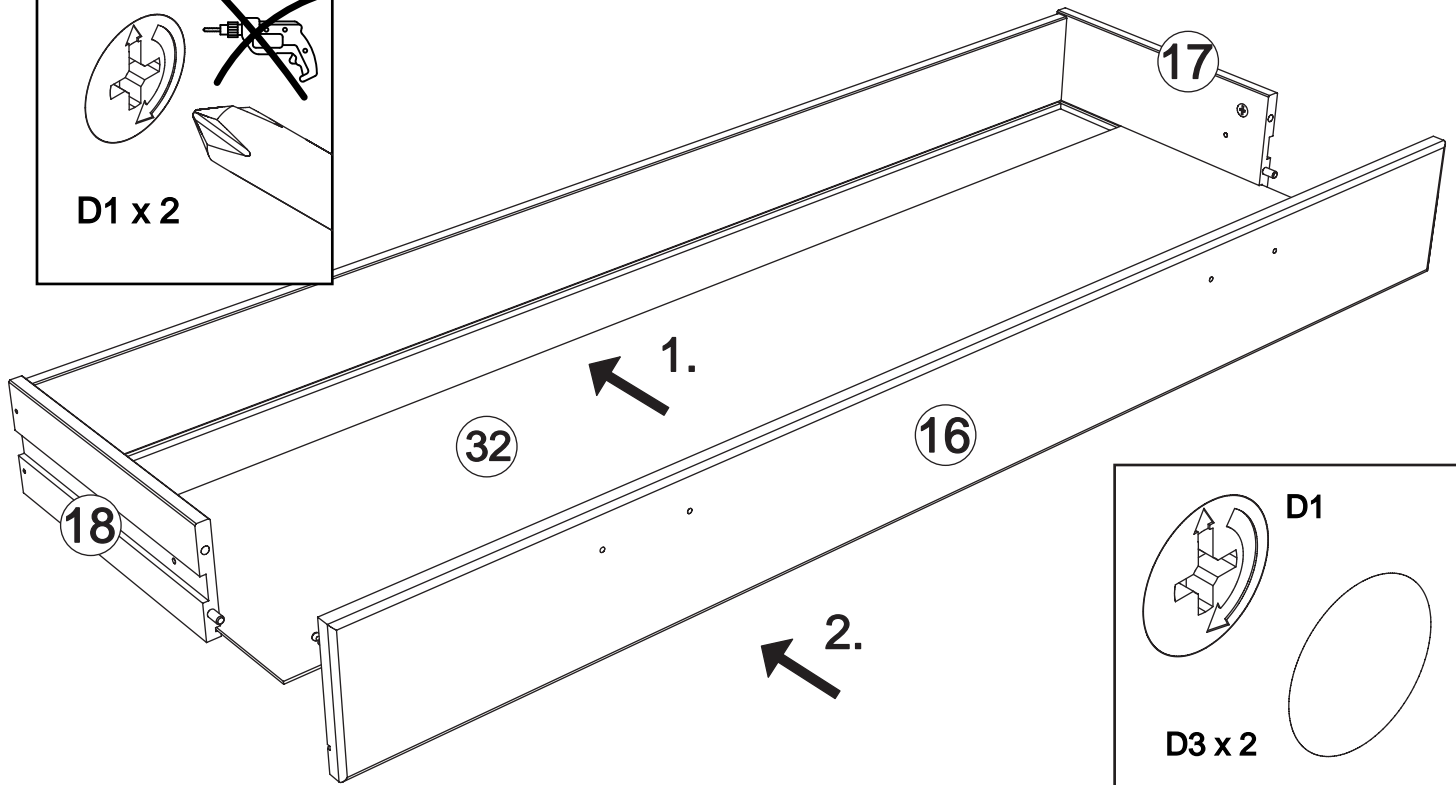
D3 x 2



PZ2

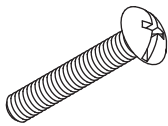


D1 x 2

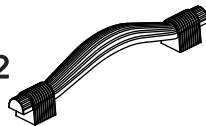


16

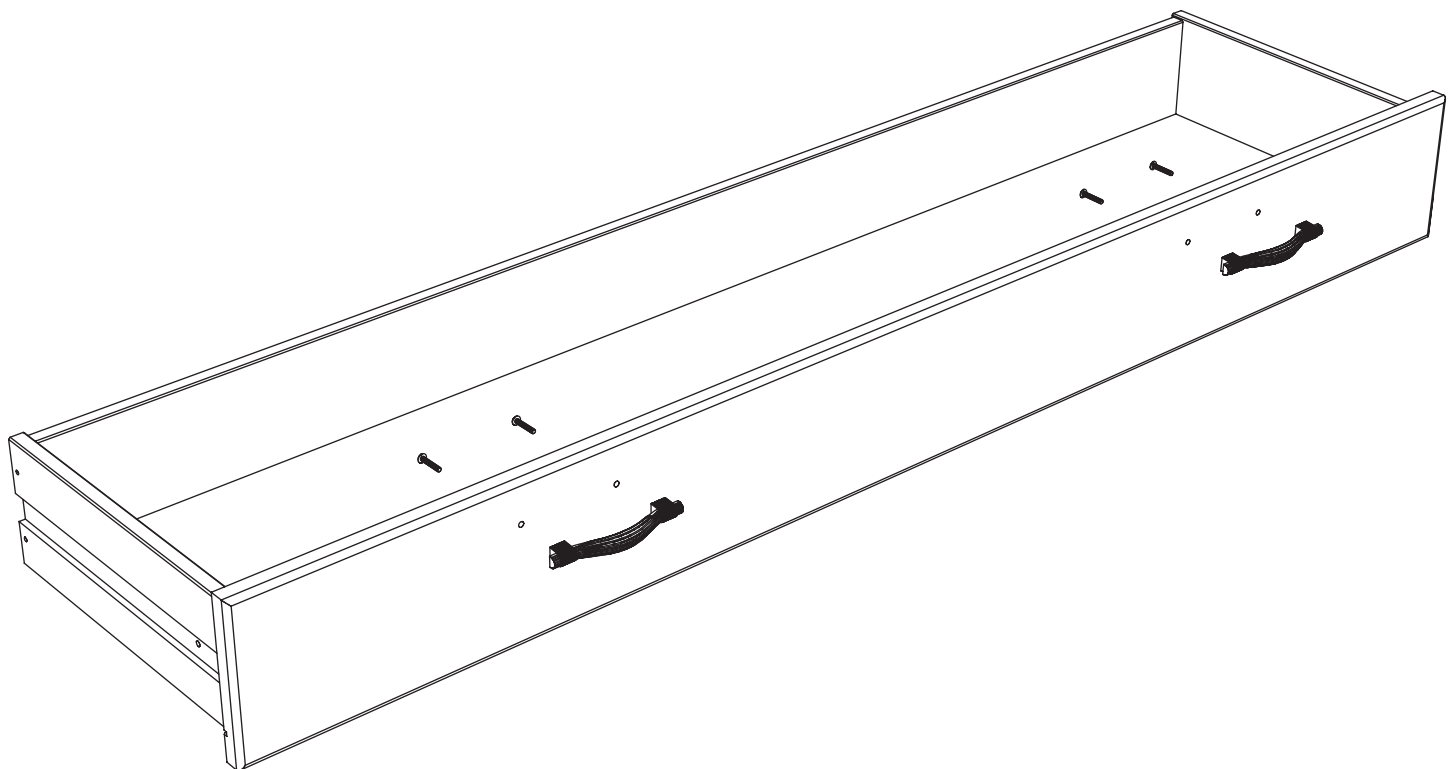
J19 x 4



R17 x 2

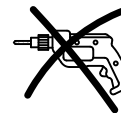
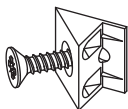


PZ2

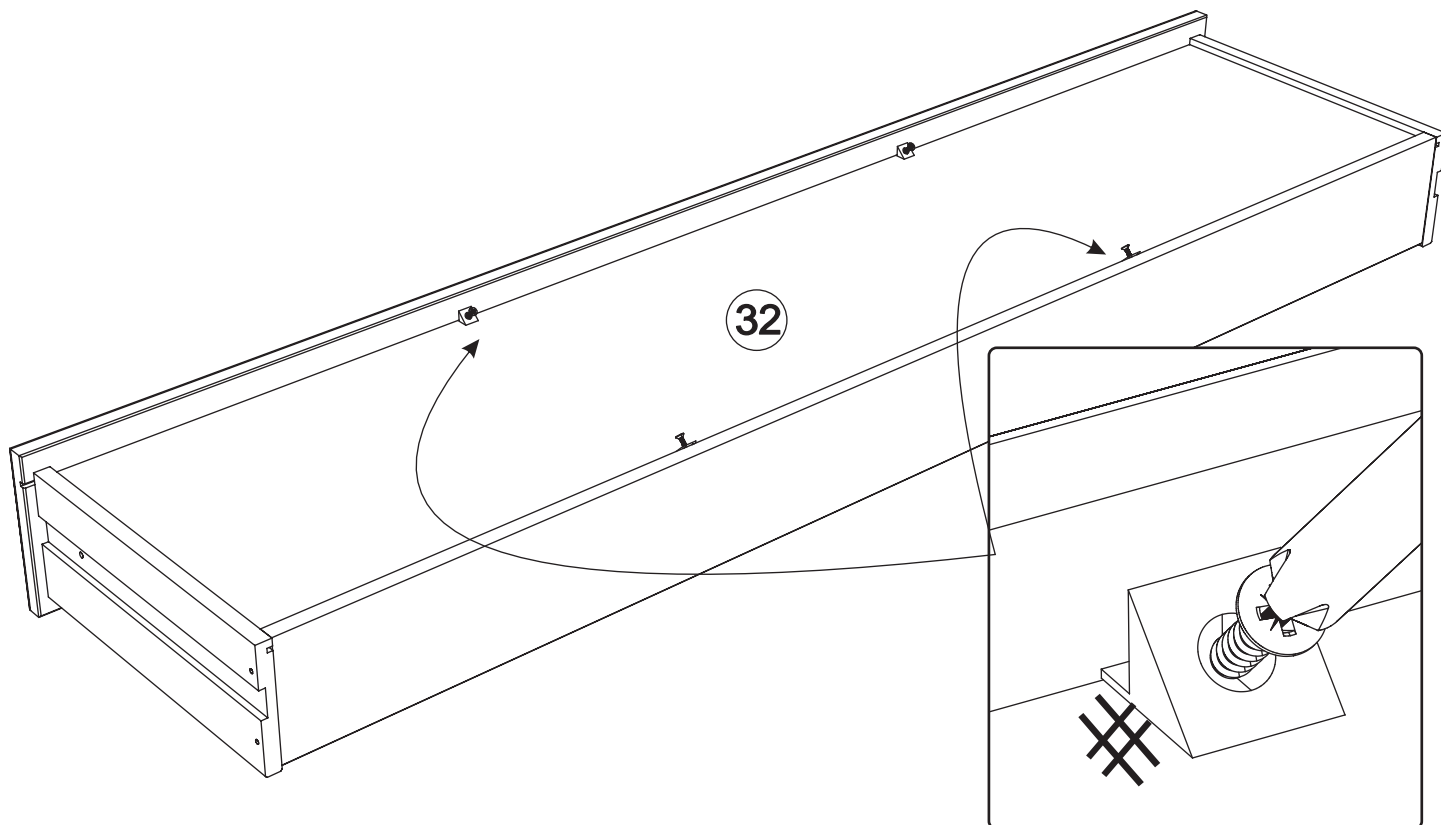


17

L2 x 4

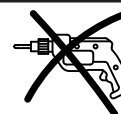


PZ2

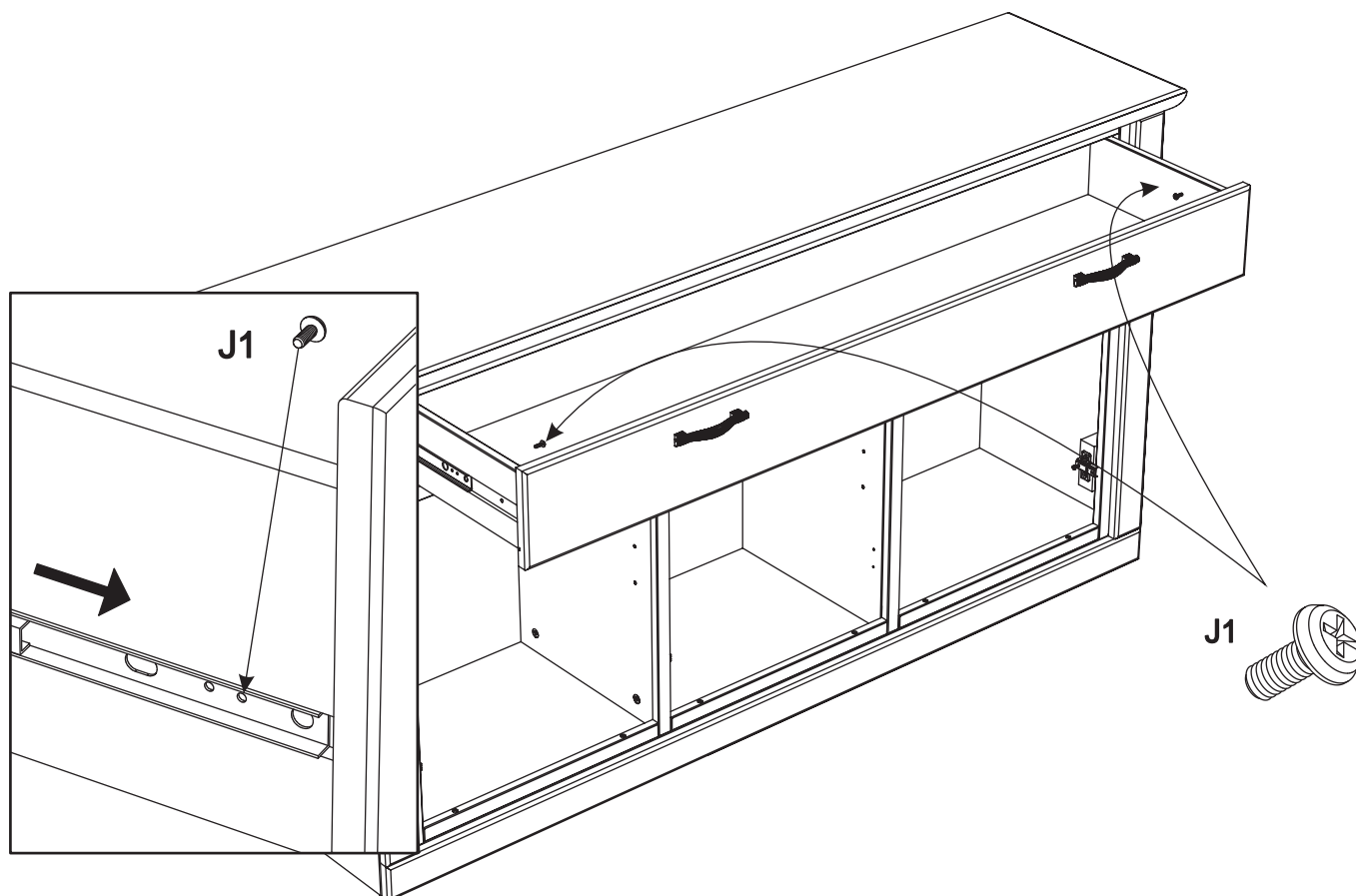


18

J1 x 2

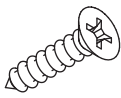


PZ2

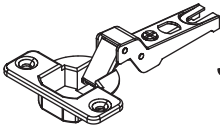


19

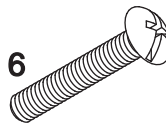
F2 x 12



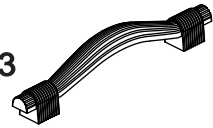
V22 x 6



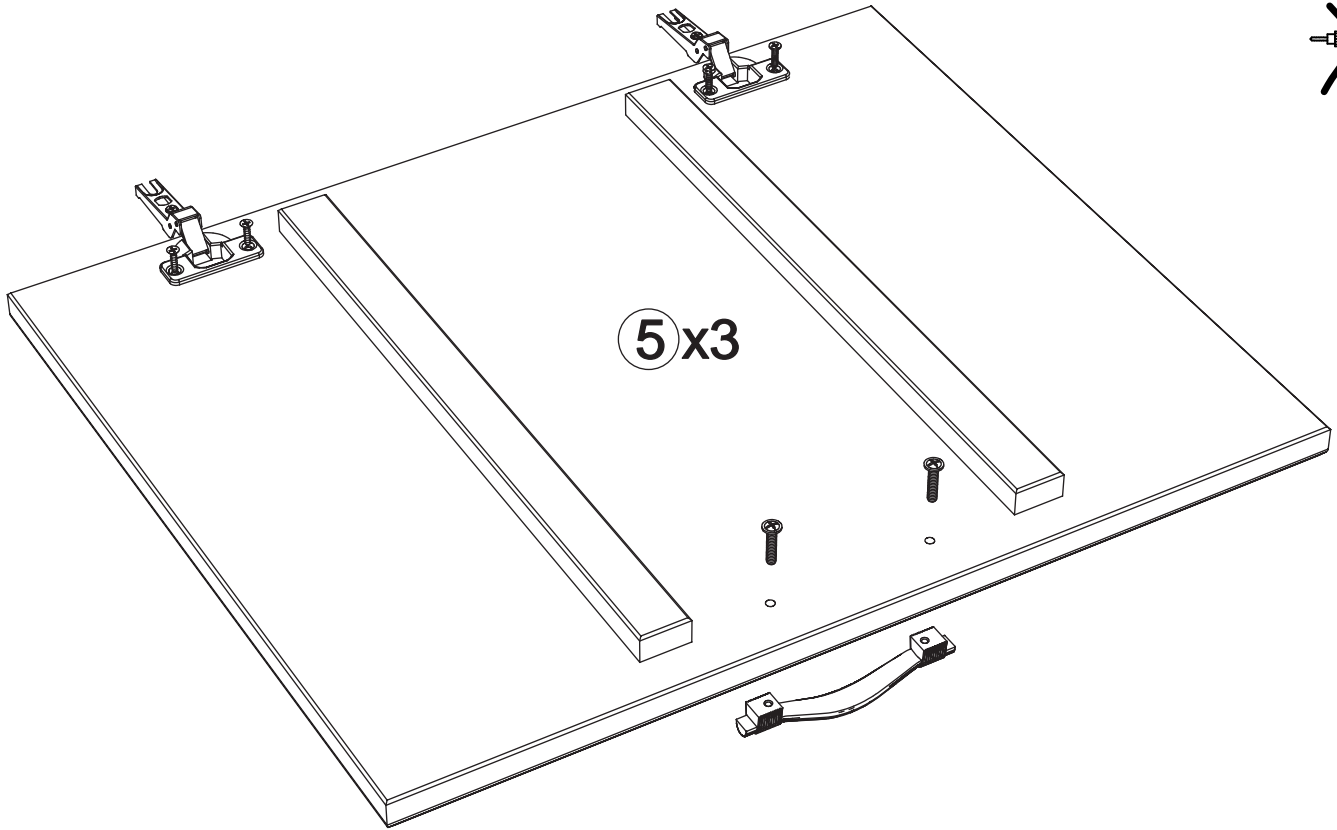
J19 x 6



R17 x 3



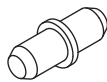
PZ2



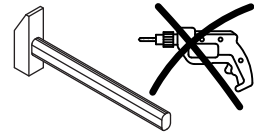
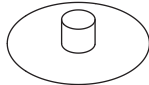
5 x 3

20

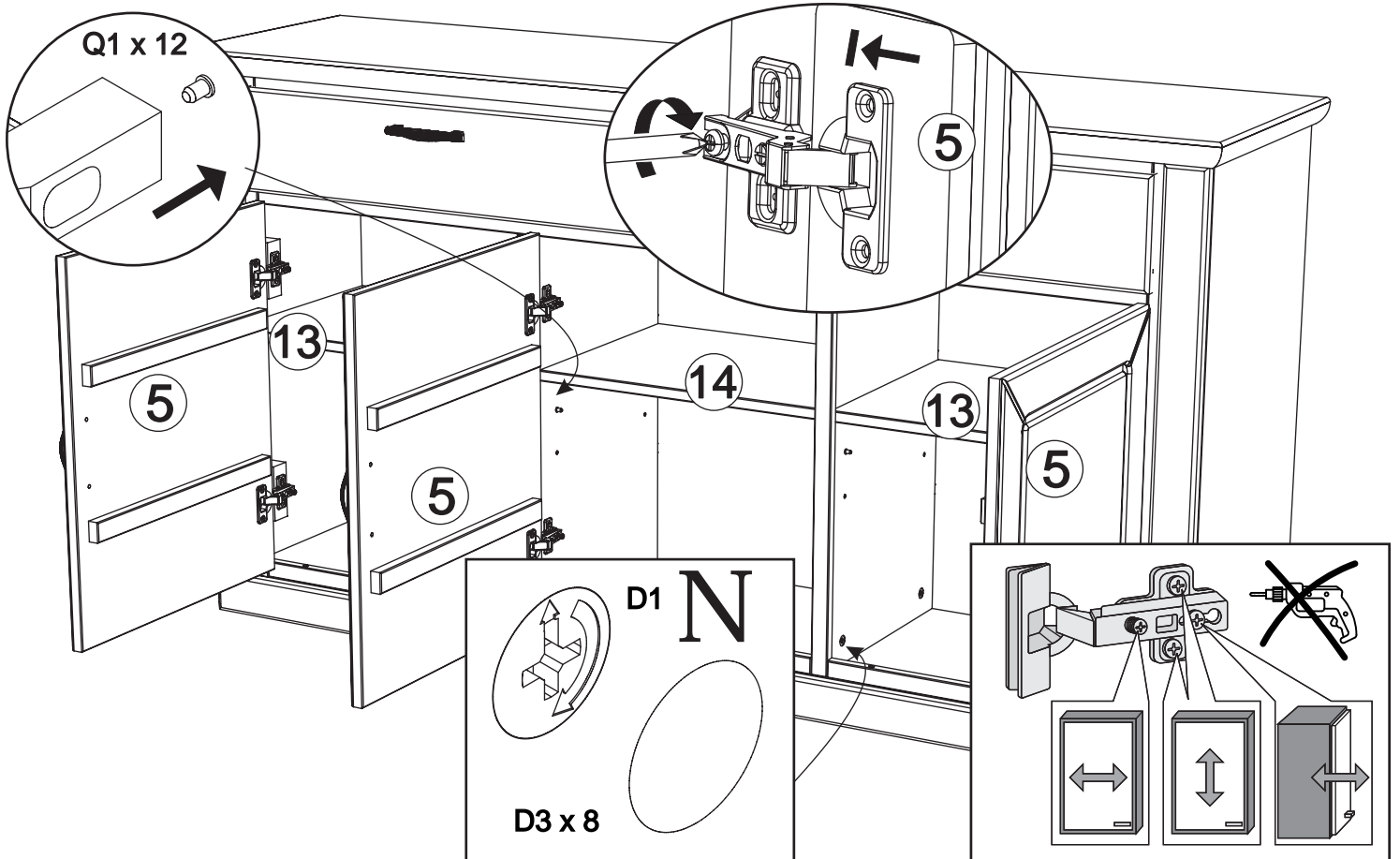
Q1 x 12



D3 x 8



PZ2



Q1 x 12

5

5

13

14

13

5

D1 N

D3 x 8