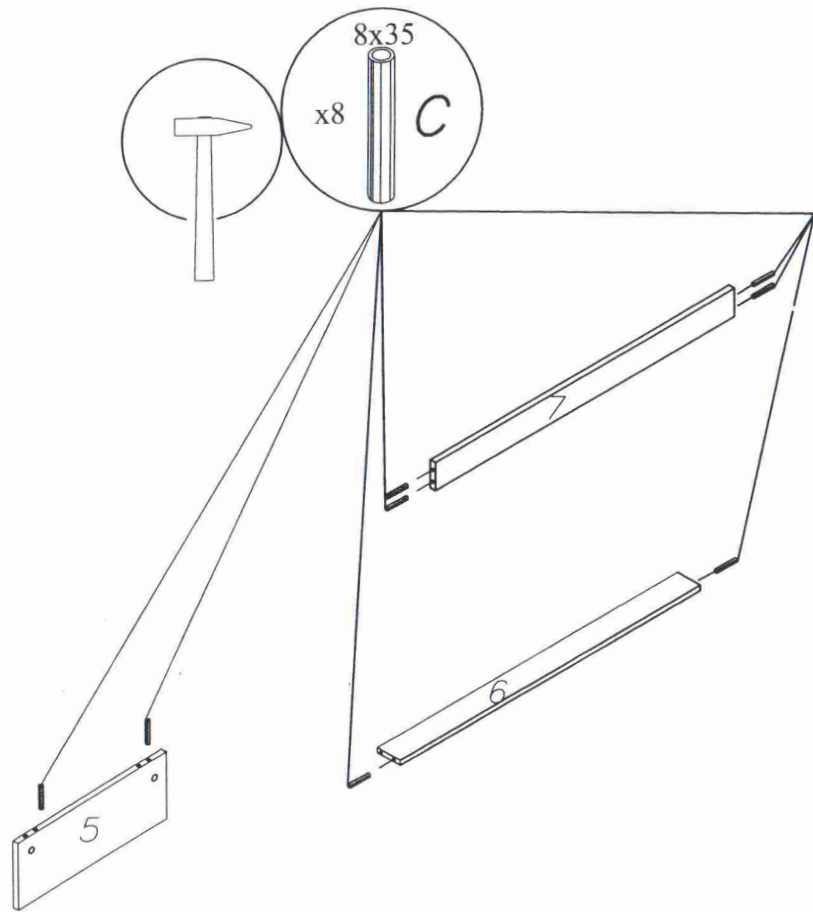


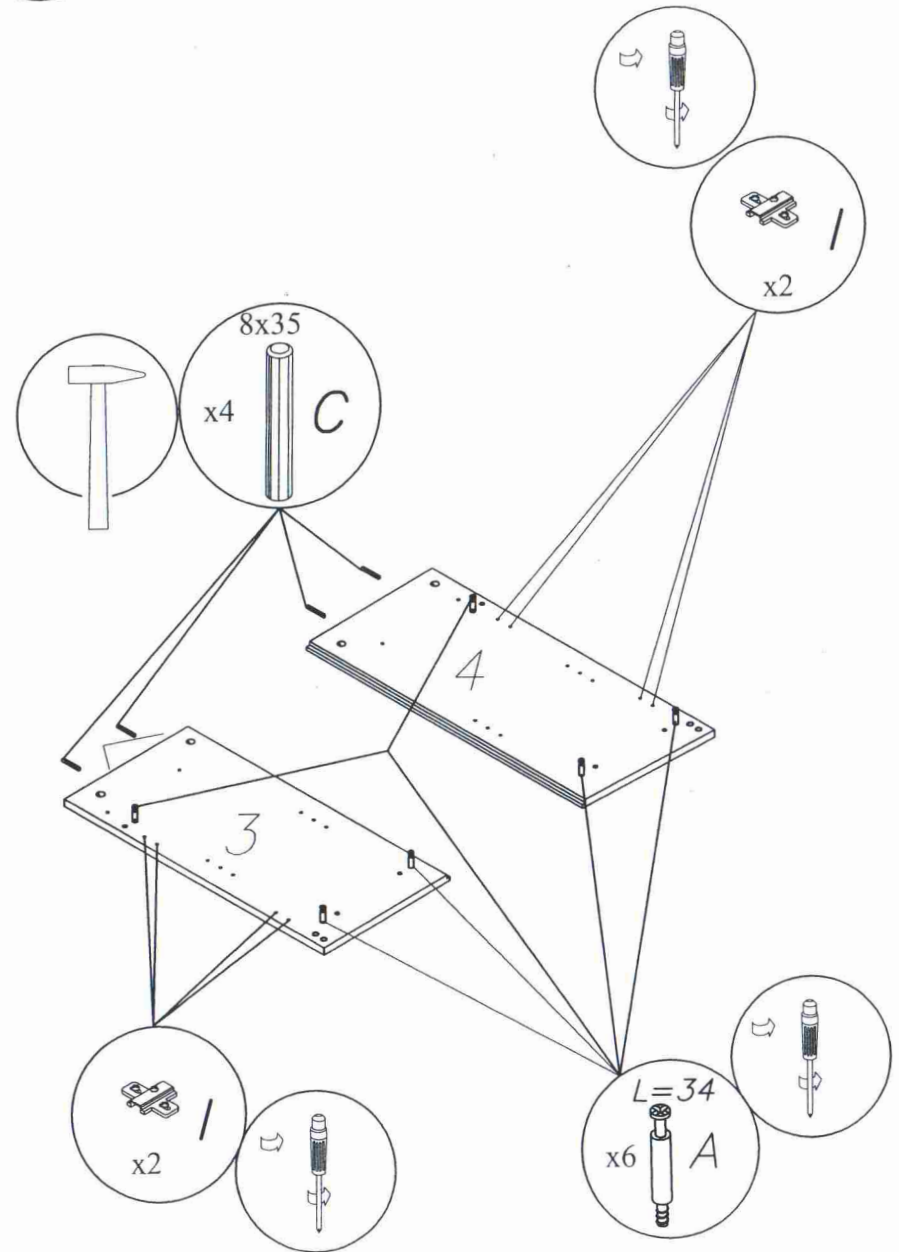
V	BA	Q	X	R
$\emptyset 5 \times 30$	$\emptyset 12 \times 10$	4x35		L=310/17
x 4	x 4	x 8	x 4	x 4

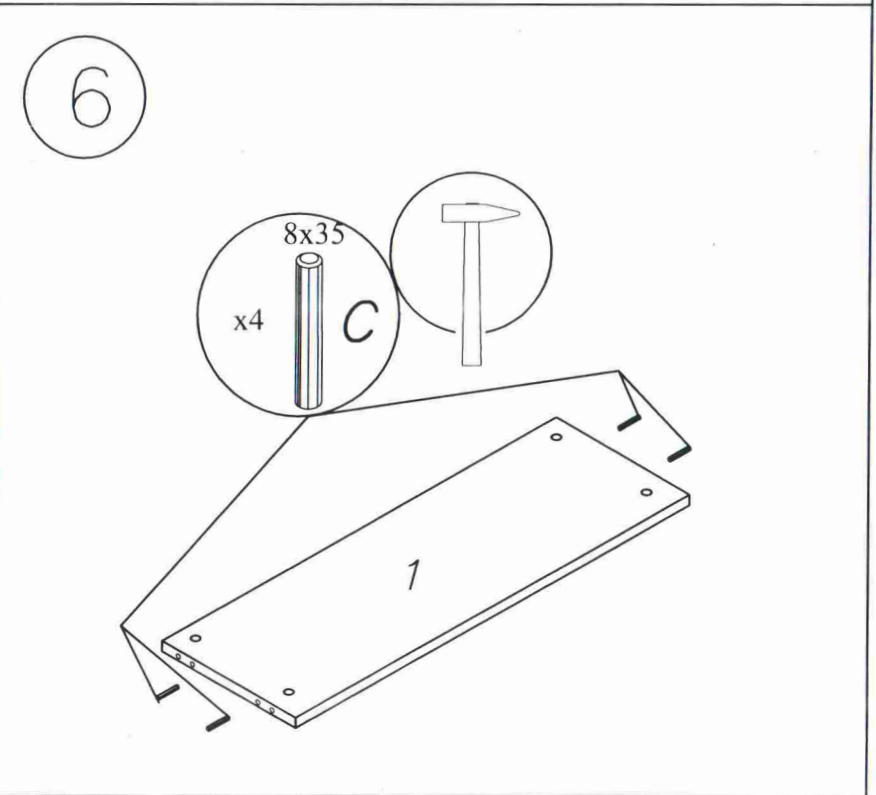
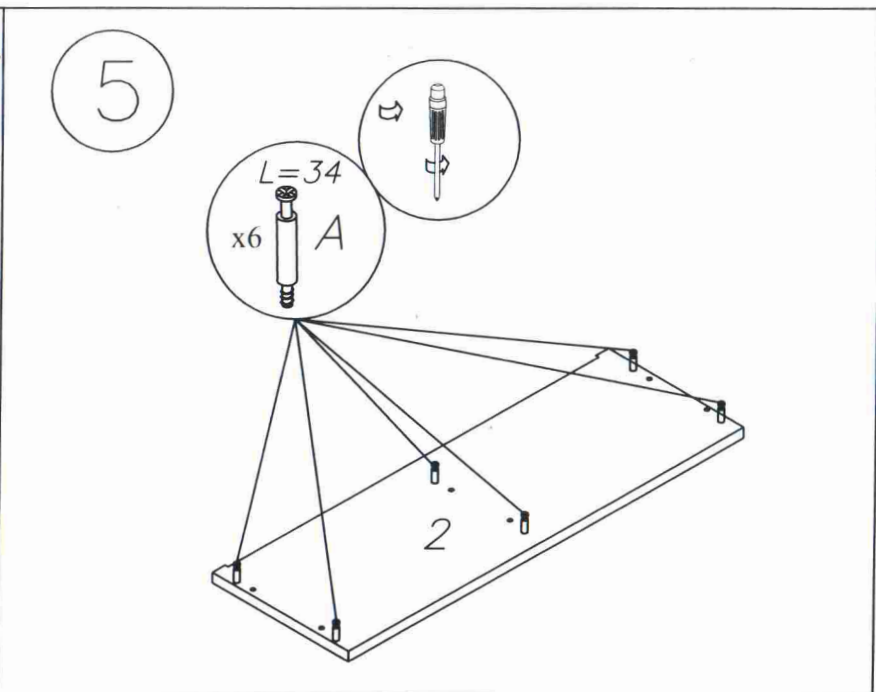
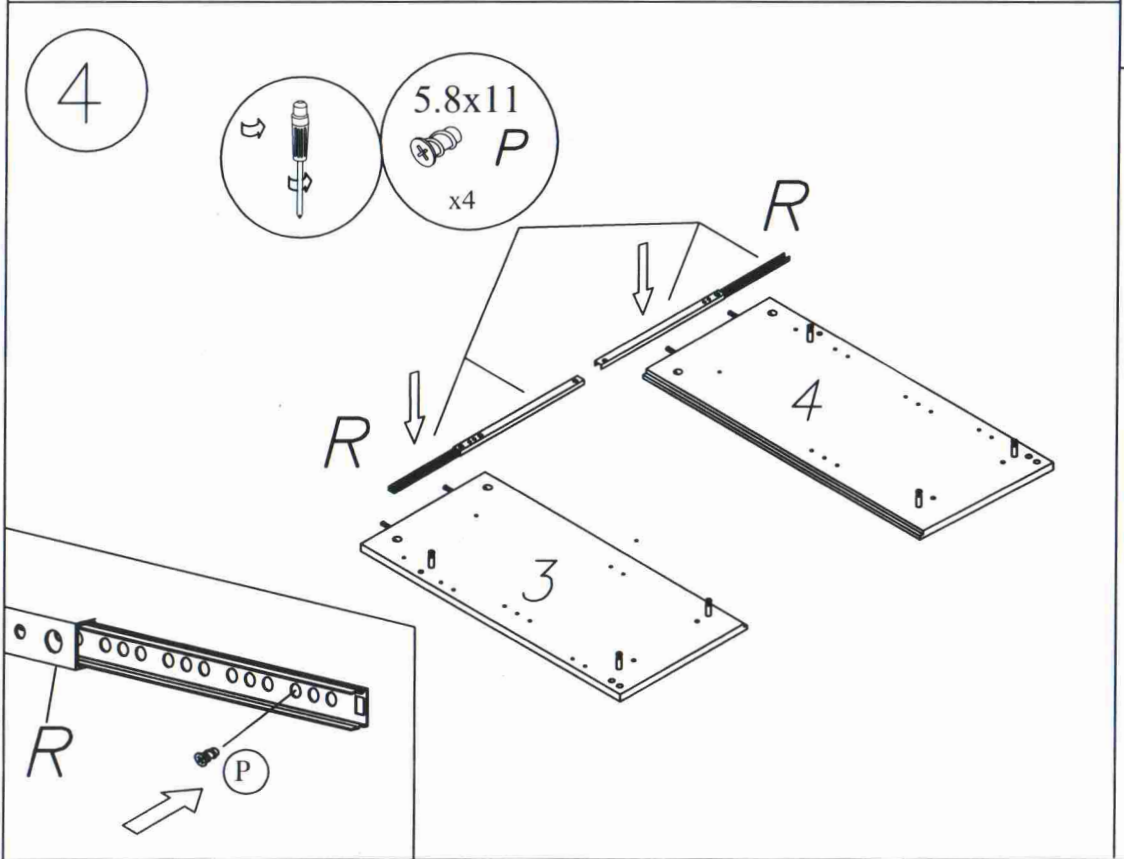
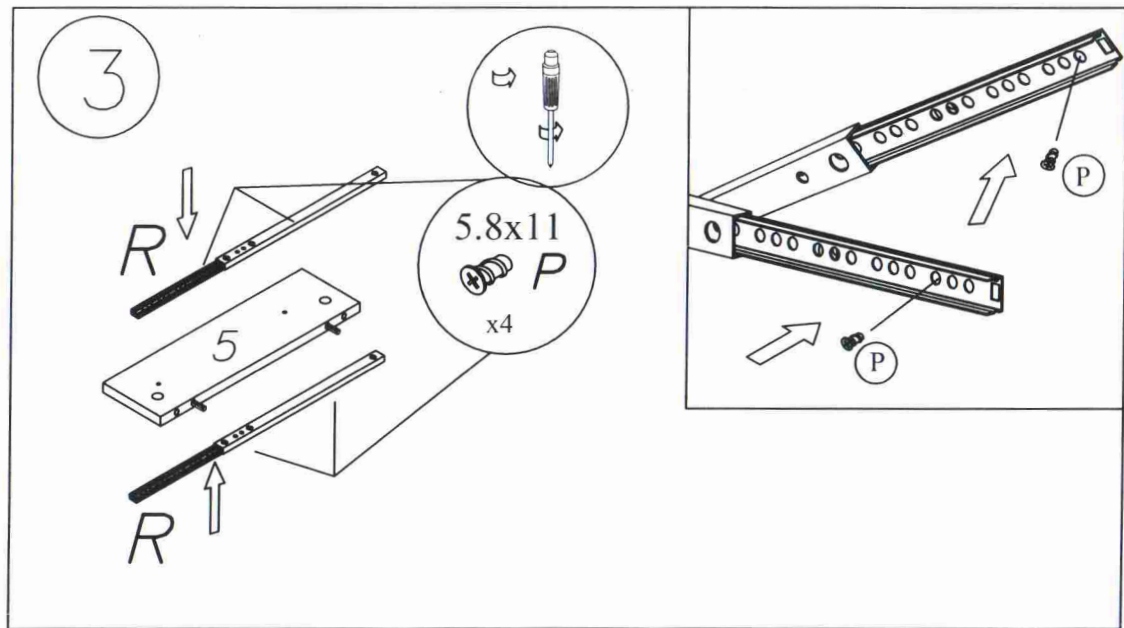
A	B	C	D	E	F	G	H	I	L	P
L=34	$\emptyset 15 \times 12$	$\emptyset 8 \times 35$		3.5x15	3.5x35	1.2x20	$\emptyset 26$		M4x9	5.8x11
x 16	x 12	x 16	x 4	x 8	x 8	x 25	x 4	x 4	x 4	x 8

1

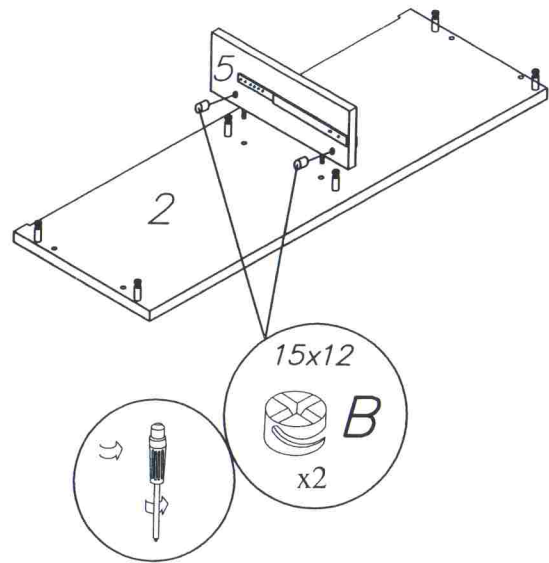


2

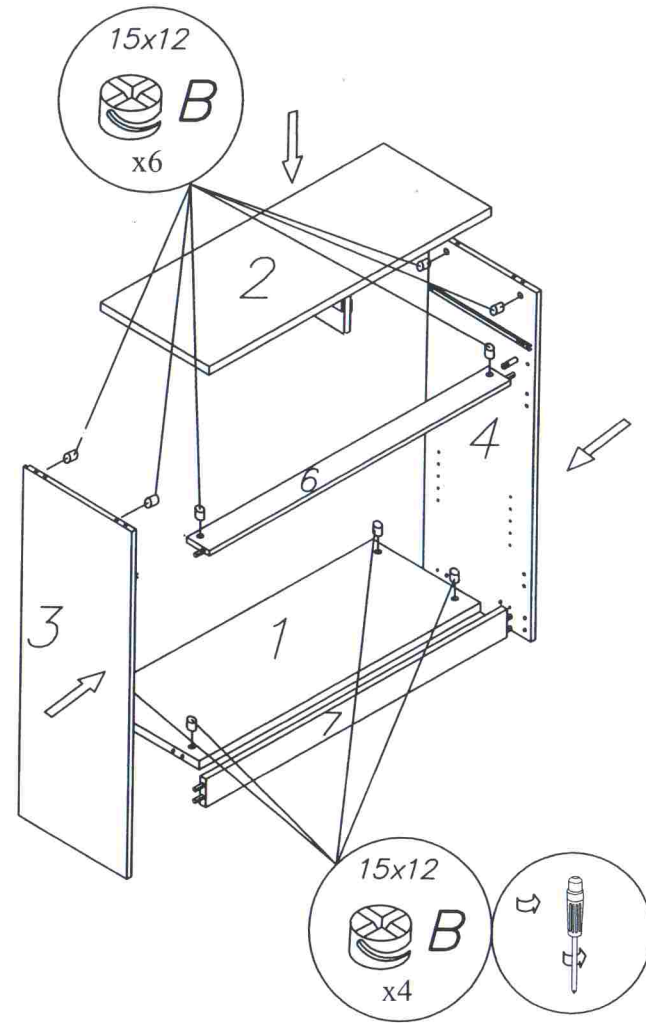




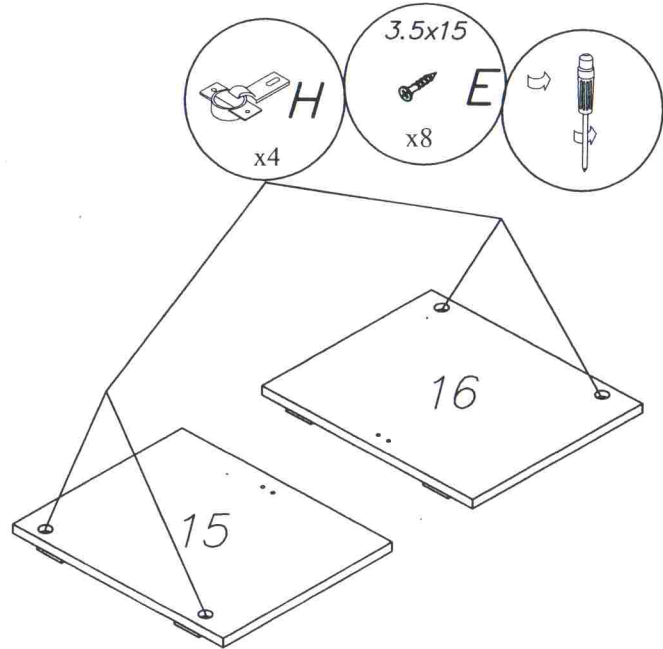
7



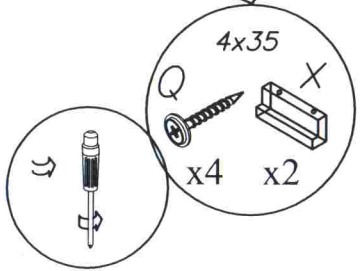
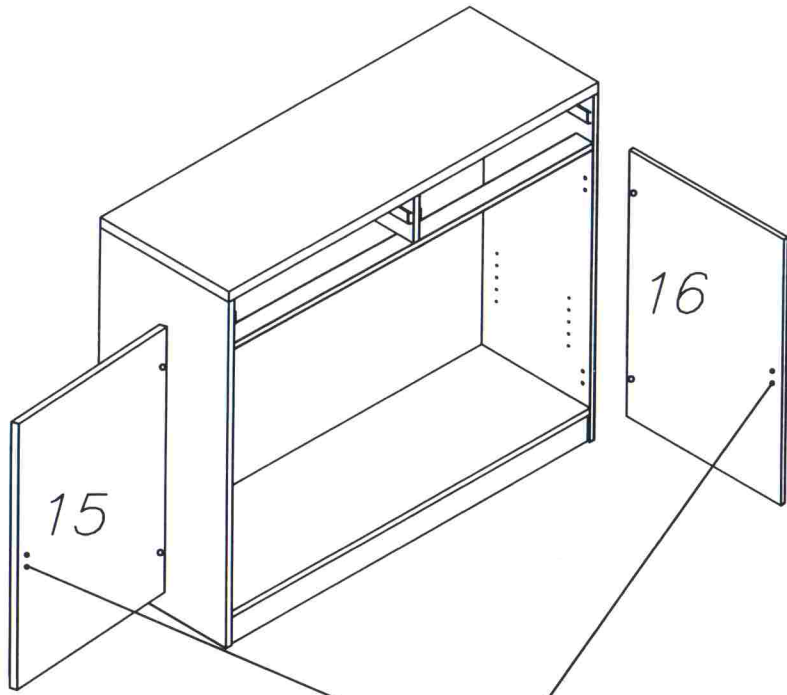
8



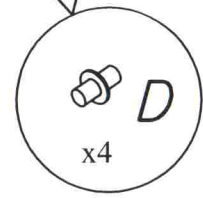
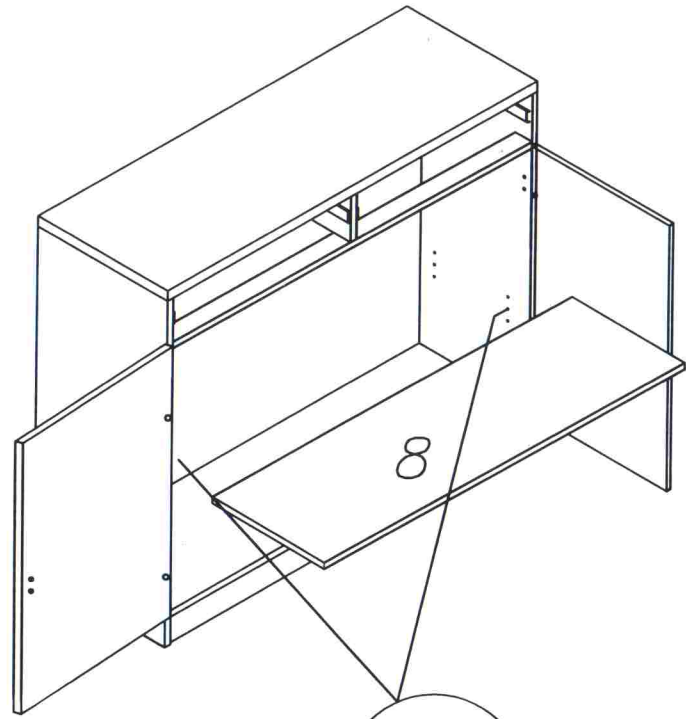
9



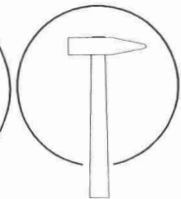
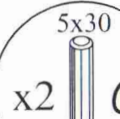
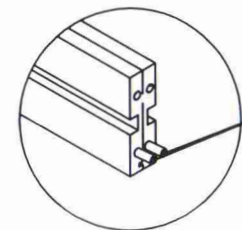
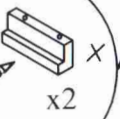
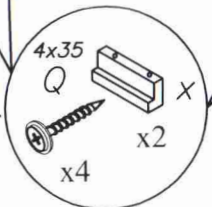
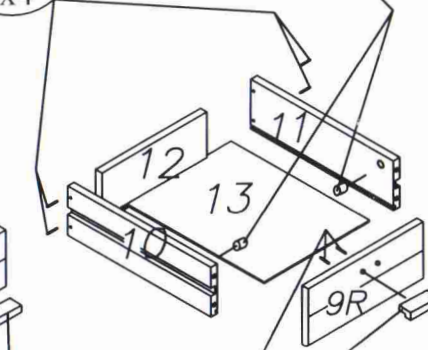
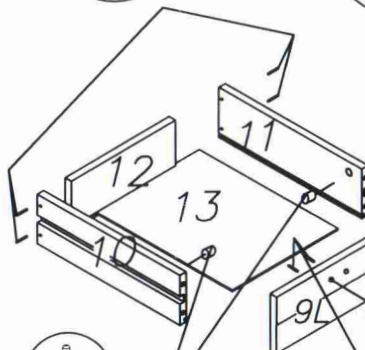
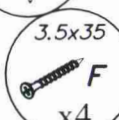
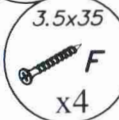
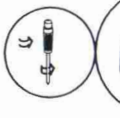
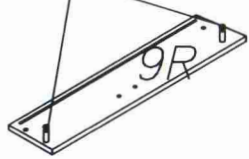
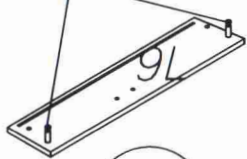
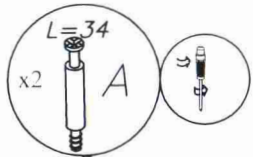
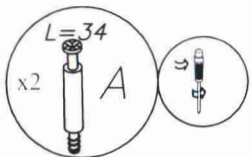
10



11



12



x2

13

